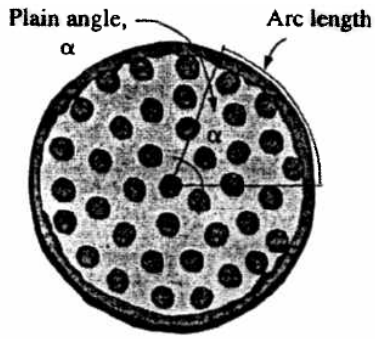
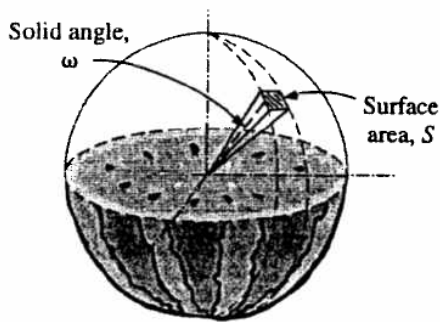


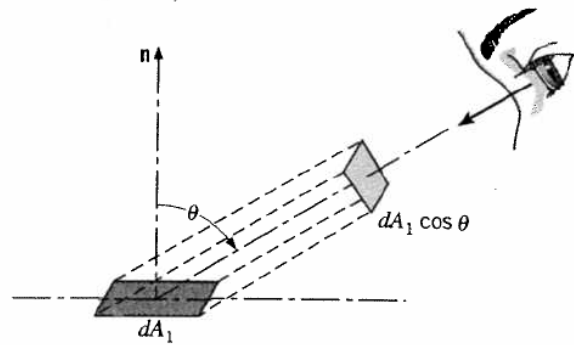
NOTES: View factors



A slice of pizza of plain angle α



A slice of watermelon of solid angle ω



SOLID ANGLE

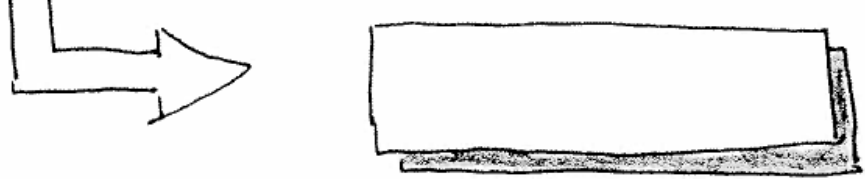
$d\omega =$

RADIATION INTENSITY

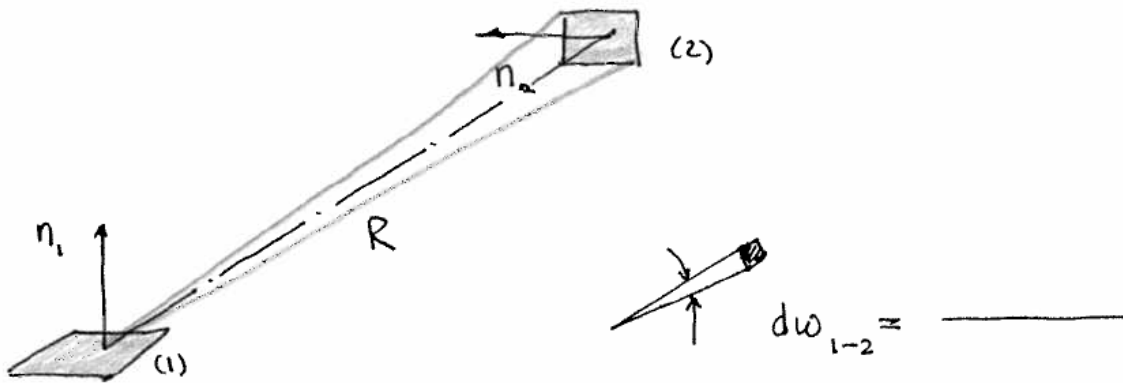
$I_c(\theta, \phi) =$

$dE =$ —

DIFFUSELY EMITTING SURFACE



NOTES: View factors



$F_{1 \rightarrow 2}$ = FRACTION of RAD. LEAVING (1)
INCIDENT ON (2)

$$d\dot{Q}_{1 \rightarrow 2} =$$

$$F_{1 \rightarrow 2} = \frac{1}{A} \iint \text{_____}$$