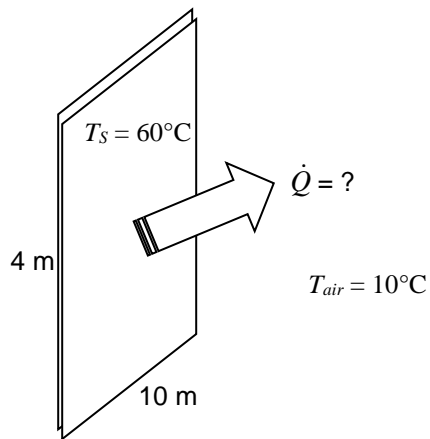

Example

A large vertical plate 4.0 m high is maintained at 60°C and exposed to atmospheric air at 10°C. Calculate the heat transfer rate from the plate if it is 10 m wide.



Example

The surface of a horizontal pipe 1 ft (0.3048 m) in diameter is maintained at a temperature of 250°C in a room where the ambient air is at 15°C. Calculate the free-convection heat loss per meter of length.

