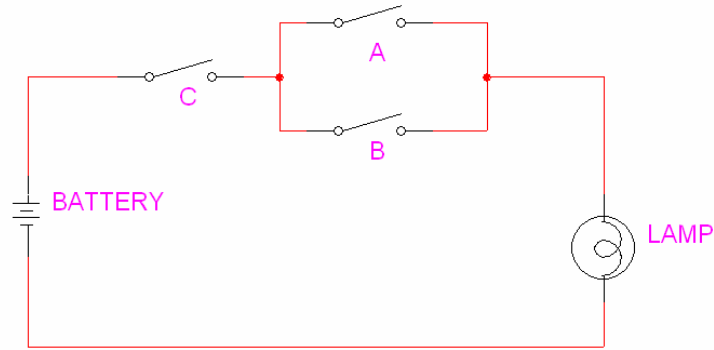


Name \_\_\_\_\_ CM \_\_\_\_\_

Due date: Friday Sept 5

### ECE130-01 Homework #1 (Switching circuit) Fall 2003

- Fill in the logic function table for the circuit below. The switches have two states: open and closed. The lamp has two states: off and on.



A	B	C	LAMP
Open	Open	Open	Off

- Draw a switching circuit with four switches A, B, C and D, one battery and one lamp L that implements this logic expression:  $L = (A \text{ OR } B) \text{ AND } (C \text{ OR } D)$ .
- Turn this in at my office (C209) before class on Friday.