

Name _____

CM _____

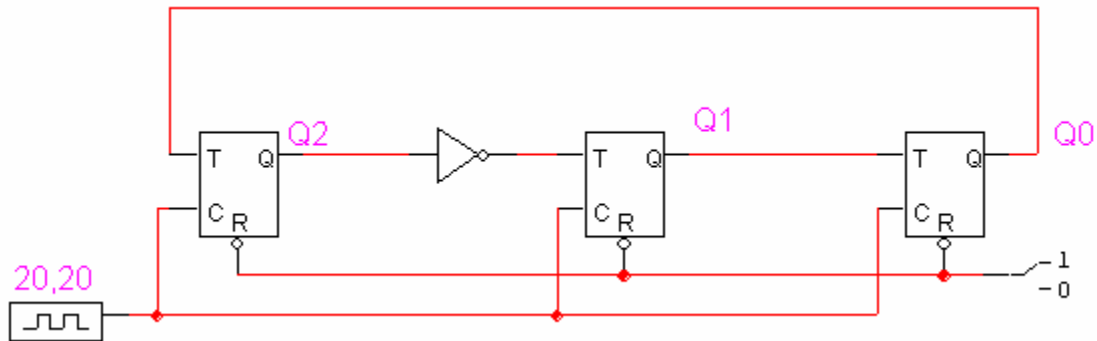
Due date: Monday, Oct. 27

ECE130-03

Homework #19

Fall 2003

1 Find the state diagram for the following counter. Is the counter self-starting?



2 Use a 74LS162 counter to design a modulo-6 counter circuit that will count from 3 to 8 and repeats. Connect your counter to a 74ls48 BCD-7-seg decoder and a 7-segment display so that the count can be seen on the display. Attach your LogicWorks schematic and timing diagram.