

Name _____ CM _____ Due date: Wednesday, Oct. 15

ECE130-03

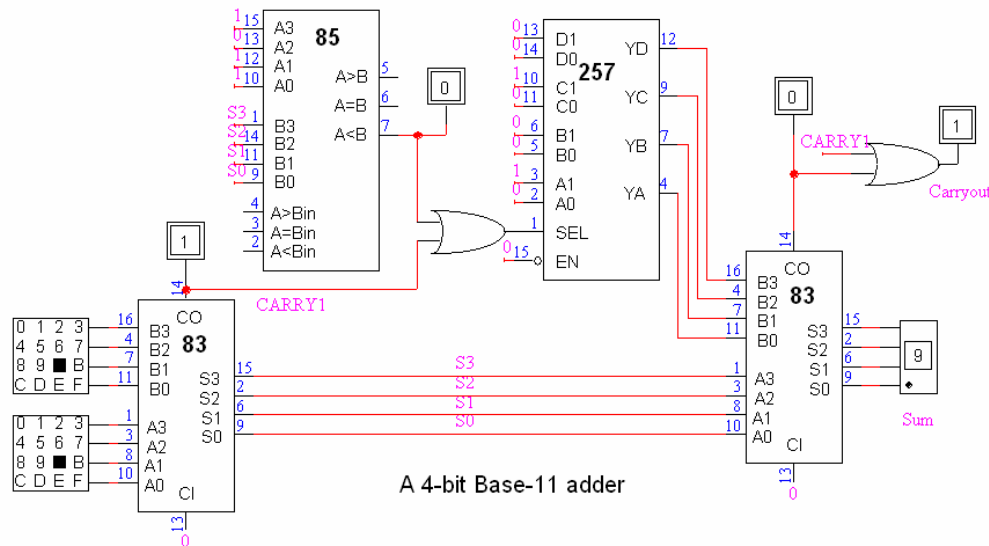
Homework #17
(Device symbol and subcircuit)

Fall 2003

- Construct a sub-circuit and a device symbol for the base-11 adder you have made for Homework #11. Write your name on the device symbol to show you created the device. You will need to make two files: subcircuit test file and device symbol test file.

Email your device symbol test LogicWorks 4 file (the 2nd file) to Mark.A.Yoder@Rose-Hulman.edu as your solution to this homework assignment. Use the subject "ECE130 hw17" The file name should be hw17 followed by your last name, for example, hw17song.cct.

Here is my subcircuit test schematic:



Here is my device test schematic:

