

Name \_\_\_\_\_

CM \_\_\_\_\_

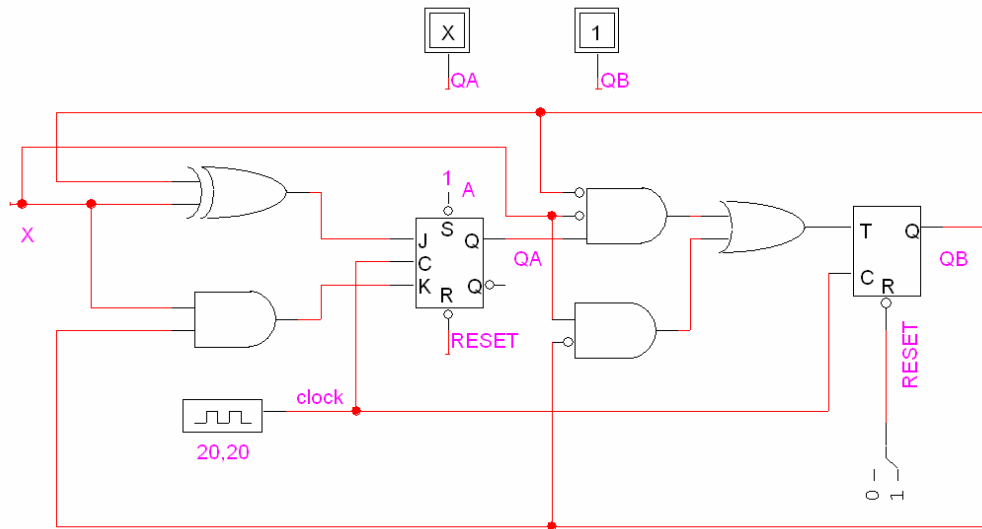
Due date: Tuesday, 14 Oct.

ECE130-1

Homework #16  
(Sequential circuit with JK and T flip-flops)

Fall 2003

- 1 Obtain state equations, state table, and state diagram for the following circuit, where X is an input variable.



### State equations

Present	Next	
	X=0	X=1
QA QB	QA QB	QA QB
00		
01		
10		
11		

00

QA QB

10

01

11