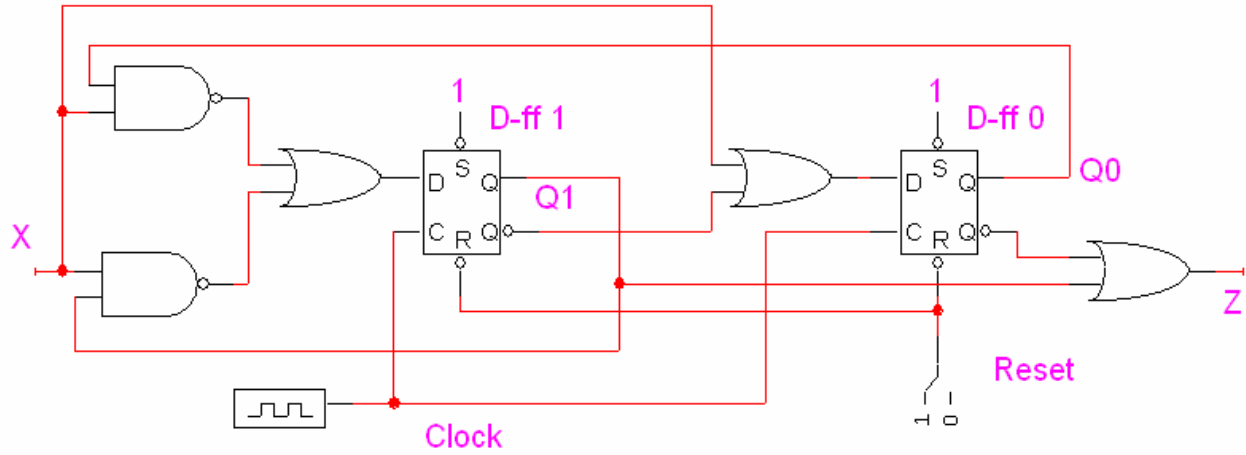


- 1 Obtain state and output equations, state table, and state diagram for the following circuit.



State equations and output equation

Present	Next		Output
	X=0	X=1	
Q1 Q0	Q1 Q0	Q1 Q0	Z
00			
01			
10			
11			

Q1 Q0/Z

00

01

10

11