

EXAMINED BY : <i>David Chang</i>	EMERGING DISPLAY TECHNOLOGIES CORPORATION	FILE NO . MTL-00040
APPROVED BY: <i>Messrs Chen</i>		ISSUE : AUG.21,1998
		TOTAL PAGE : 3
		VERSION : 1

MATERIAL SPECIFICATIONS

PART NAME :
EL INVERTER
CODE NO. :
SOUN50350 (51-20000-3)
FOR MESSRS :

CUSTOMER'S APPROVAL

DATE :

BY :

EMERGING DISPLAY
TECHNOLOGIES CORPORATION

CODE NO. 51-20000-3	VERSION 1
------------------------	--------------

RECORDS OF REVISION	DOC . FIRST ISSUE AUG.21,1998
---------------------	----------------------------------

DATE	REVISED PAGE NO.	SUMMARY

TABLE OF CONTENTS

NO.	ITEM	PAGE
1.	FEATURE -----	1
2.	ELECTRICAL SPECIFICATION -----	1
3.	INTERFACE SIGNALS -----	2
4.	OPERATING ENVIRONMENT -----	2
5.	DIMENSION -----	3

1. **FEATURE**

1.1 LCM EL DRIVING INVERTER UNIT.

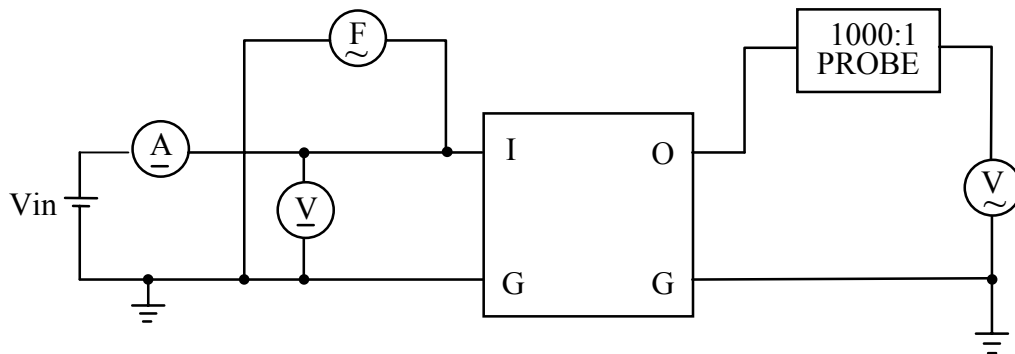
2. **ELECTRICAL SPECIFICATION**

2.1 OPERATION VOLTAGE : $5.0 \pm 0.5V$

2.2

ITEM	SYMBOL	MIN.	TYP.	MAX.	UNIT	MAKER
INPUT VOLTAGE	V_{in}	—	5	—	V	All value is base on $V_{in} = 5V$ $T_a = 25^{\circ}C$
INPUT CURRENT	I_{in}	20	—	40	mA	
OSCILLATION FREQUENCY	f	400	—	800	HZ	
LOAD RANGE	—	20	—	60	cm^2	
OUTPUT VOLTAGE	V_{out}	80	—	95	Vrms	

2.3 MEASUREMENT



NOTE : The probe be connected to inverter when you want to measurement the output open voltage .

3. **INTERFACE SIGNALS**

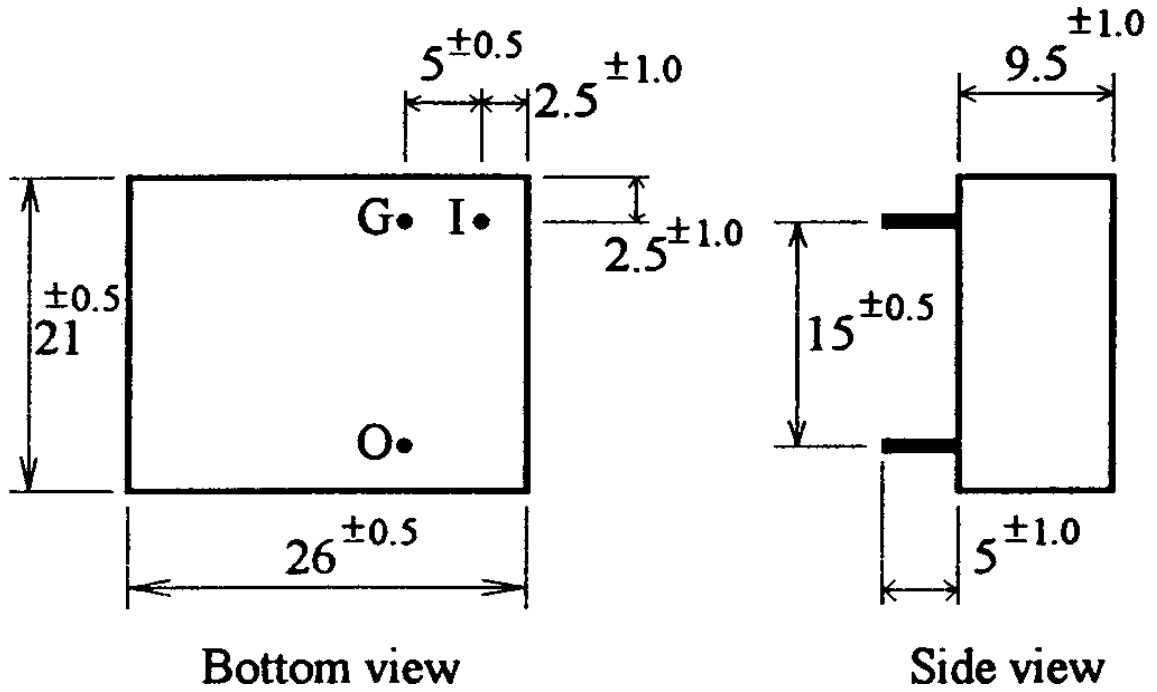
PIN	FUNCTIONS
O	OUTPUT : FOR EL
G	COMMON : GND / FOR EL
I	INPUT : 5V DC

4. **OPERATING ENVIRONMENT**

OPERATING TEMPERATURE RANGE : -10 ~ 60°C Less than 90%RH .

STORAGE TEMPERATURE RANGE : -20 ~ 70°C Less than 95%RH .

5. DIMENSION



UNIT : mm
SCALE : NTS
NOT SPECIFIED TOLERANCE IS ± 1.0 mm