

PACKAGE DIMENSIONS :

The package dimensions are shown in three views:

- Top View:** A square package with a width of 15.3 and a height of 15.3. The text "EVERLIGHT", "IRM-8420-1", and "N" is printed on the top surface.
- Side View:** Shows the package height of 5.0 and a width of 13.2. It illustrates the profile of the package and the location of the pins.
- Pinout View:** Shows the pin configuration with a width of 6.0 and a height of 7.0. The pins are numbered 1 through 5. The pin 1 is the output, pin 2 is Vcc, pin 3 is GND, pin 4 is GND, and pin 5 is GND. The pin pitch is 2.54, and the pin width is 1.6. The distance from the package edge to the center of pin 1 is 3.6, and the distance from the package edge to the center of pin 5 is 2.1.

Pinout Legend:

1 : GND	4 : GND
2 : Vcc	5 : GND
3 : Output	

OFFICE: NO 25, Lane 76, Chung Yang Rd, Sec.3 Tucheng, Taipei 236, Taiwan, R.O.C.

TEL : 886-2-2267-2000, 2266-9936 (22 Lines)

FAX : 886-2-2267-6189

<http://www.everlight.com>

NOTES :

1. This drawing measure is a standard value. All dimensions are in millimeter.
2. In case of designation is tolerance $\pm 0.3\text{mm}$.
3. Lead spacing is measured where the lead emerge from the package.
4. Above specification may be changed without notice. EVERLIGHT will reserve authority on material change for above specification.
5. These specification sheets include materials protected under copyright of EVERLIGHT corporation. Please don't reproduce or cause anyone to reproduce them without EVERLIGHT consent.
6. When using this produce, please observe the absolute maximum ratings and the instructions for use outlined in these specification sheets. EVERLIGHT assumes no responsibility for any damage resulting from use of the product which does not comply with the absolute maximum ratings and the instructions included in these specification sheets.

■ Description :

1. The module is a small type infrared remote control system receiver which has been developed and designed by utilizing the latest hybrid technology.
2. This single unit type module incorporates a photo diode and a receiving preamplifier IC.
3. The demodulated output signal can directly be decoded by a microprocessor.

■ Feature :

1. High protection ability to EMI and metal case can be customized.
2. Mold type and metal case type to meet the design of front panel.
3. Elliptic lens to improve the characteristic against
4. Line-up for various center carrier frequencies.
5. Low voltage and low power consumption.
6. High immunity against ambient light.
7. Photodiode with integrated circuit.
8. TTL and CMOS compatibility.
9. Long reception distance.
10. High sensitivity.

■ Application :

1. Optical switch
2. Light detecting portion of remote control
 - AV instruments such as Audio, TV, VCR, CD, MD, etc.
 - Home appliances such as Air-conditioner, Fan , etc.
 - The other equipments with wireless remote control.
 - CATV set top boxes
 - Multi-media Equipment

Absolute maximum ratings : (Ta=25°C)

Parameter	Symbol	Ratings	Unit	Notice
Supply Voltage	Vcc	0~5.7	V	
Operating Temperature	Topr	-10~+60	°C	
Storage Temperature	Tstg	-20~+70	°C	
Soldering Temperature	Tsol	260	°C	4mm from mold body less than 5 seconds

Electro Optical Characteristics : (Ta=25°C)

Parameter	Symbol	MIN	TYP	MAX	Unit	Condition
Supply Voltage	Vcc	4.7	5	5.3	V	DC voltage
Supply Current	Icc	-	-	3	mA	No signal input
B.P.F Center Frequency	fo	-	32.75	-	KHz	
Peak Wavelength	λp	-	940	-	nm	
Transmission Distance	L ₀	6	-	-	m	At the ray axis *1
	L ₄₅	3	-	-		
Half Angle	θ	-	45	-	deg	
High Level Pulse Width	T _H	400	-	800	μ s	At the ray axis *2
Low Level Pulse Width	T _L	400	-	800	μ s	
High Level Output Voltage	V _H	4.5	-	-	V	
Low Level Output Voltage	V _L	-	0.2	0.5	V	

*1: The ray receiving surface at a vertex and relation to the ray axis in the range of $\phi=0^\circ$ and $\phi=45^\circ$.

*2: A range from 30cm to the arrival distance. Average value of 50 pulses.

■ TEST METHOD :

The specified electro-optical characteristics is satisfied under the following Conditions at the controllable distance.

① Measurement place

A place that is nothing of extreme light reflected in the room.

② External light

Project the light of ordinary white fluorescent lamps which are not high Frequency lamps and must be less then 10 Lux at the module surface.

($E_e \leq 10\text{Lux}$)

③ Standard transmitter

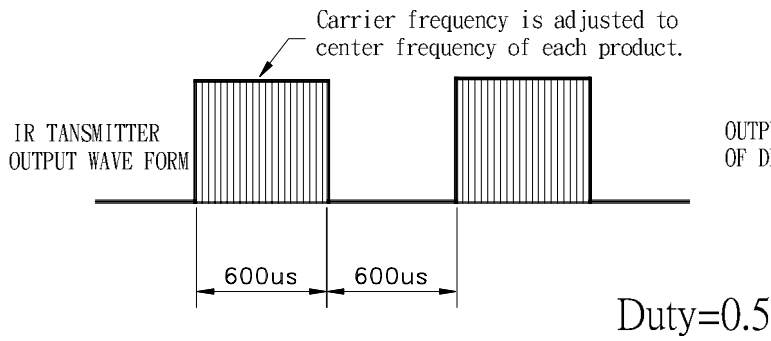
A transmitter whose output is so adjusted as to $V_o=400\text{mVp-p}$ and the output Wave form shown in Fig.-1. According to the measurement method shown in Fig.-2 the standard transmitter is specified. However, the infrared photodiode to be used for the transmitter should be $\lambda_p=940\text{nm}$, $\Delta\lambda=50\text{nm}$. Also, photo diode is used of PD438B ($V_R=5\text{V}$).

(Standard light / Light source temperature 2856°K).

④ Measuring system

According to the measuring system shown in Fig.-3

Fig.-1 Transmitter Wave Form



D.U.T Output Pulse

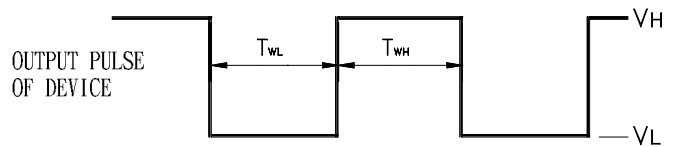


Fig.-2 Measuring Method

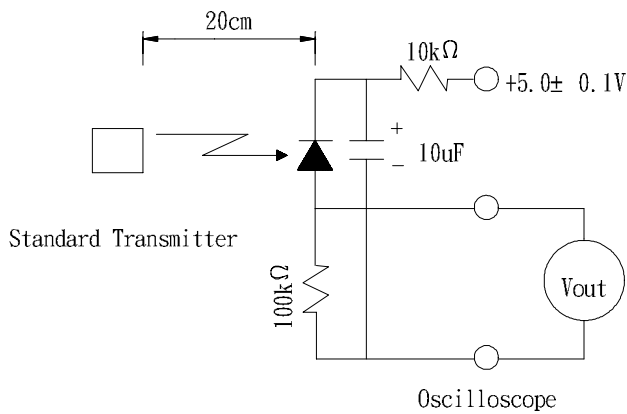
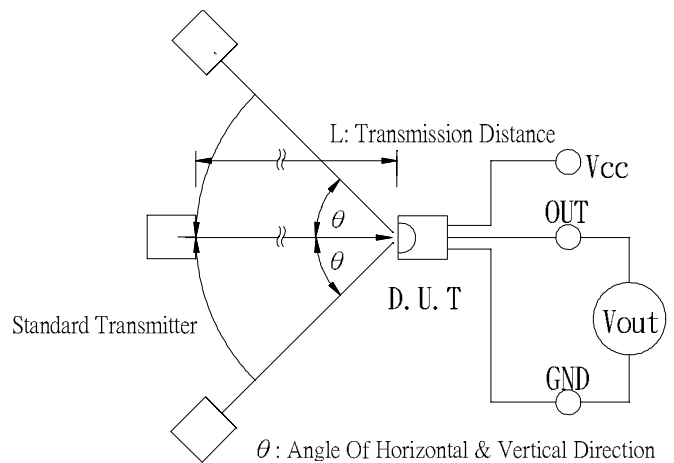


Fig.-3 Measuring System



TYPICAL ELECTRICAL/OPTICAL/CHARACTERISTICS CURVES

Fig.-4 Relative Spectral Sensitivity vs. Wavelength

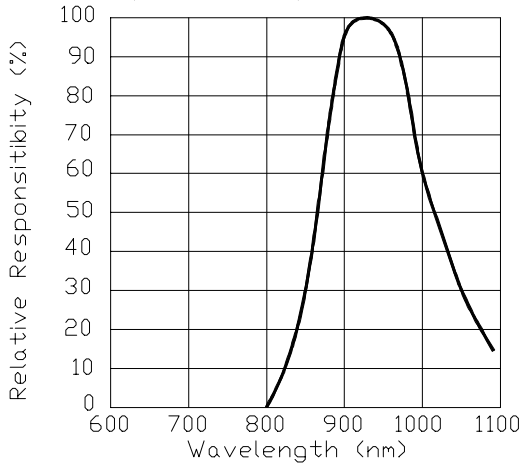


Fig.-5 Relative Transmission Distance vs. Direction

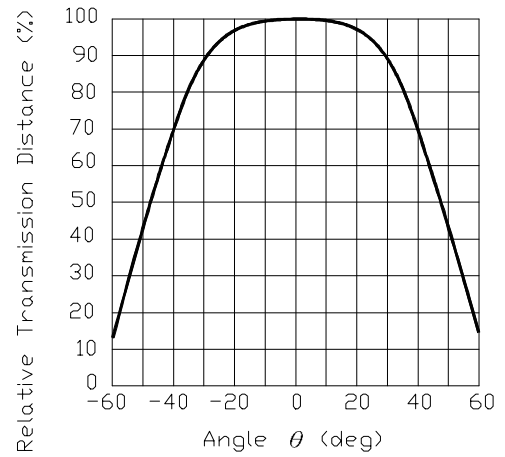


Fig.-6 Output Pulse Length vs. Arrival Distance

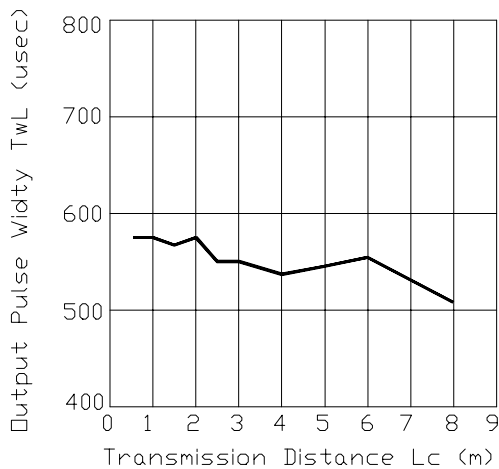


Fig.-7 Arrival Distance vs. Supply Voltage

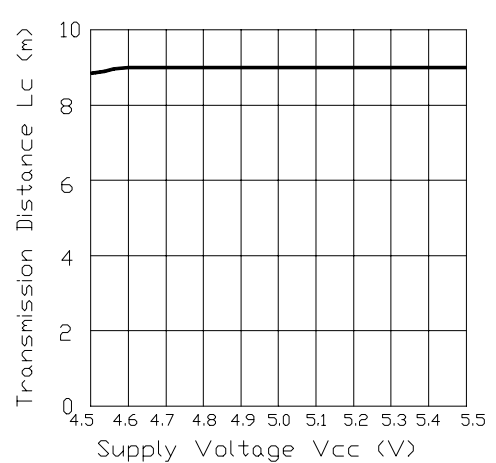


Fig.-8 Relative Transmission Distance vs. Center Carrier Frequency

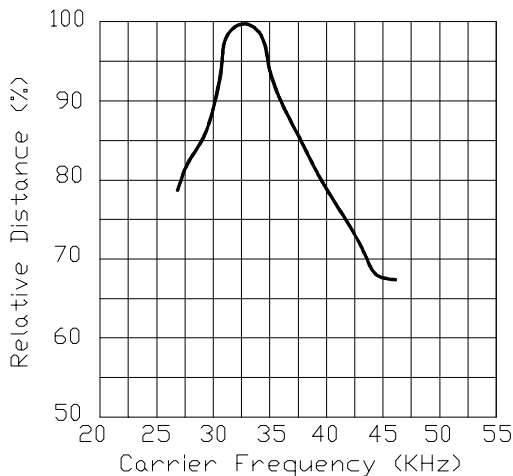
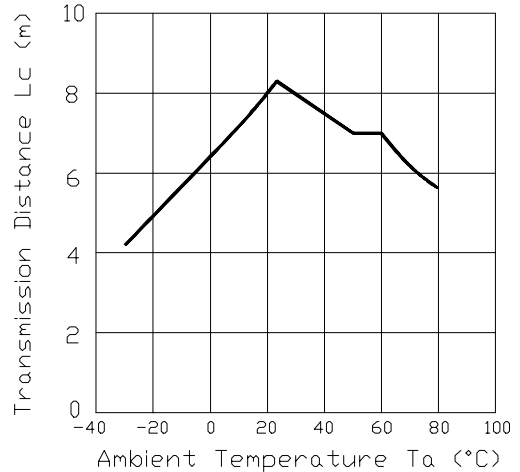


Fig.-9 Arrival Distance vs. Ambient Temperature



Reliability test item and condition :

The reliability of products shall be satisfied with items listed below.

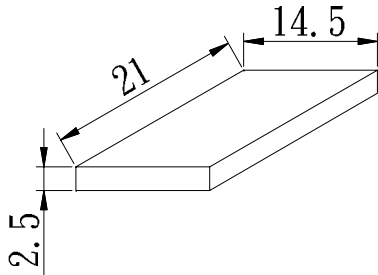
Confidence level: 90%

LTPD: 10%

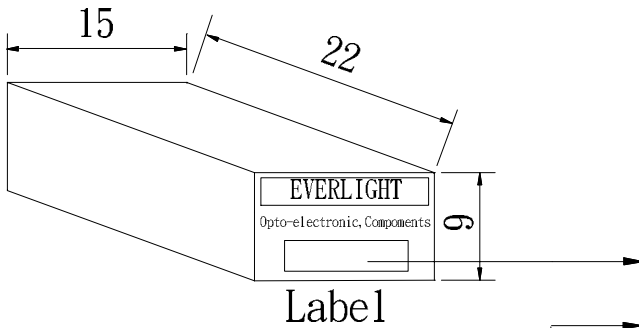
Test Items	Test Conditions	Failure Judgement Criteria	Samples(n)
			Defective(c)
Operation life	Vcc=5V, Ta:25°C 1000hrs	$L_0 \leq L \times 0.8$ $L_{45} \leq L \times 0.8$ L: Lower specification limit	n=22,c=0
Temperature cycle	1 cycle -20°C +25°C +70°C (30min) 5min (30min) 50 cycle test		n=22,c=0
Thermal shock	-10°C to +70°C (5min) (10sec) (5min) 50 cycle test		n=22,c=0
High temperature storage	Temp: +70°C 1000hrs		n=22,c=0
Low temperature storage	Temp: -20°C 1000hrs		n=22,c=0
High temperature High humidity	Ta: 85°C RH:85% 1000hrs		n=22,c=0
Solder heat	Temp: 260± 5°C 5sec 4mm Form the bottom of the package.		n=22,c=0
Solderability	Temp: 230± 5°C 5sec 4mm Form the bottom of the package.		More than 90% of Lead to be covered by soldering

■ Packing Specifications

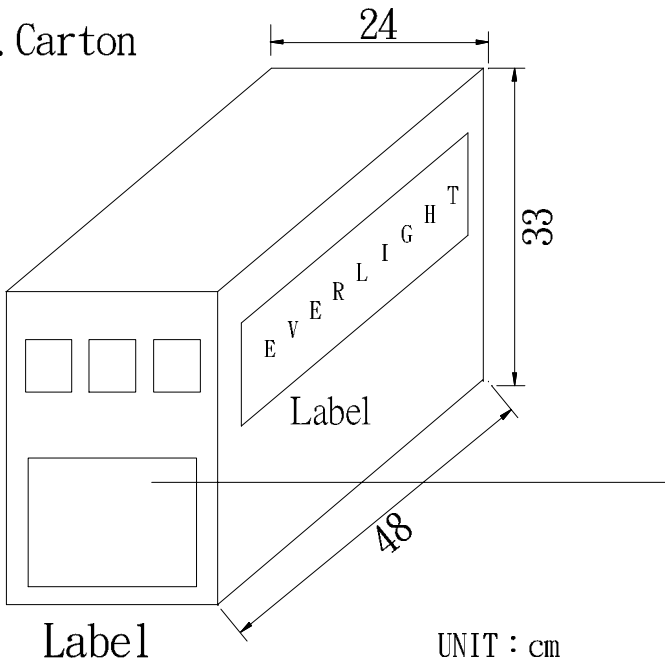
1. Plastic Case



2. Box



3. Carton



UNIT : cm

CPN : Customer's Production Number

P/N : Production Number

QTY : Packing Quantity

CAT : Ranks

HUE : Peak Wavelength

REF : Reference

LOT NO : Lot Number

MADE IN TAIWAN : Production place

Packing Quantity Specification

1. 40 Pcs/1 Plastic Case , 4 Plastic Cases/1 Box

2. 10 Boxes/1 Carton