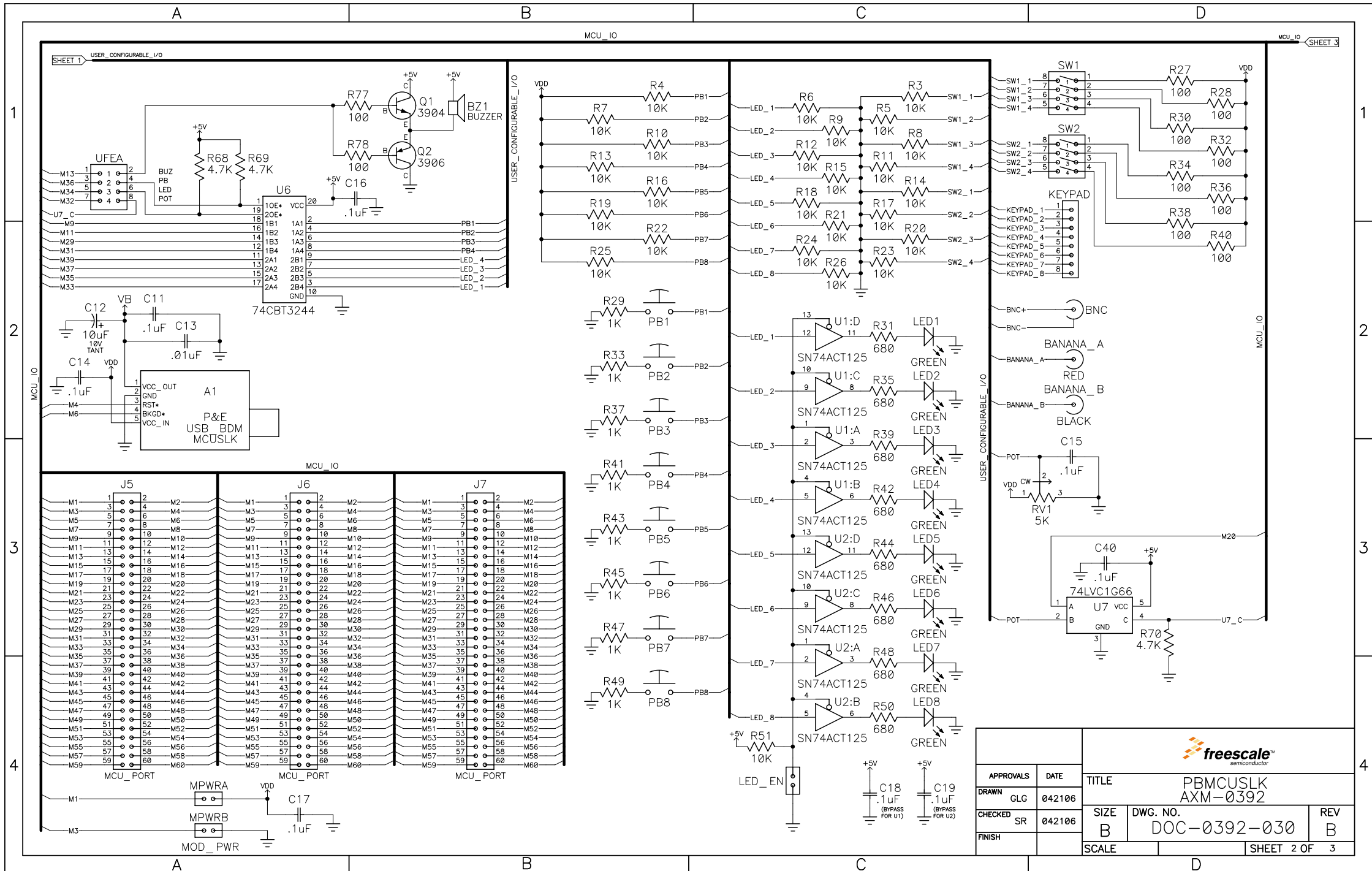


COMM SHEET 3
USER_CONFIGURABLE_I/O SHEET 2

APPROVALS		DATE	TITLE	
DRAWN	GLG	042106	PBMCUSLK AXM-0392	
CHECKED	SR	042106	SIZE	DWG. NO.
FINISH			B	DOC-0392-030
			SCALE	REV
				B
			SHEET 1 OF 3	



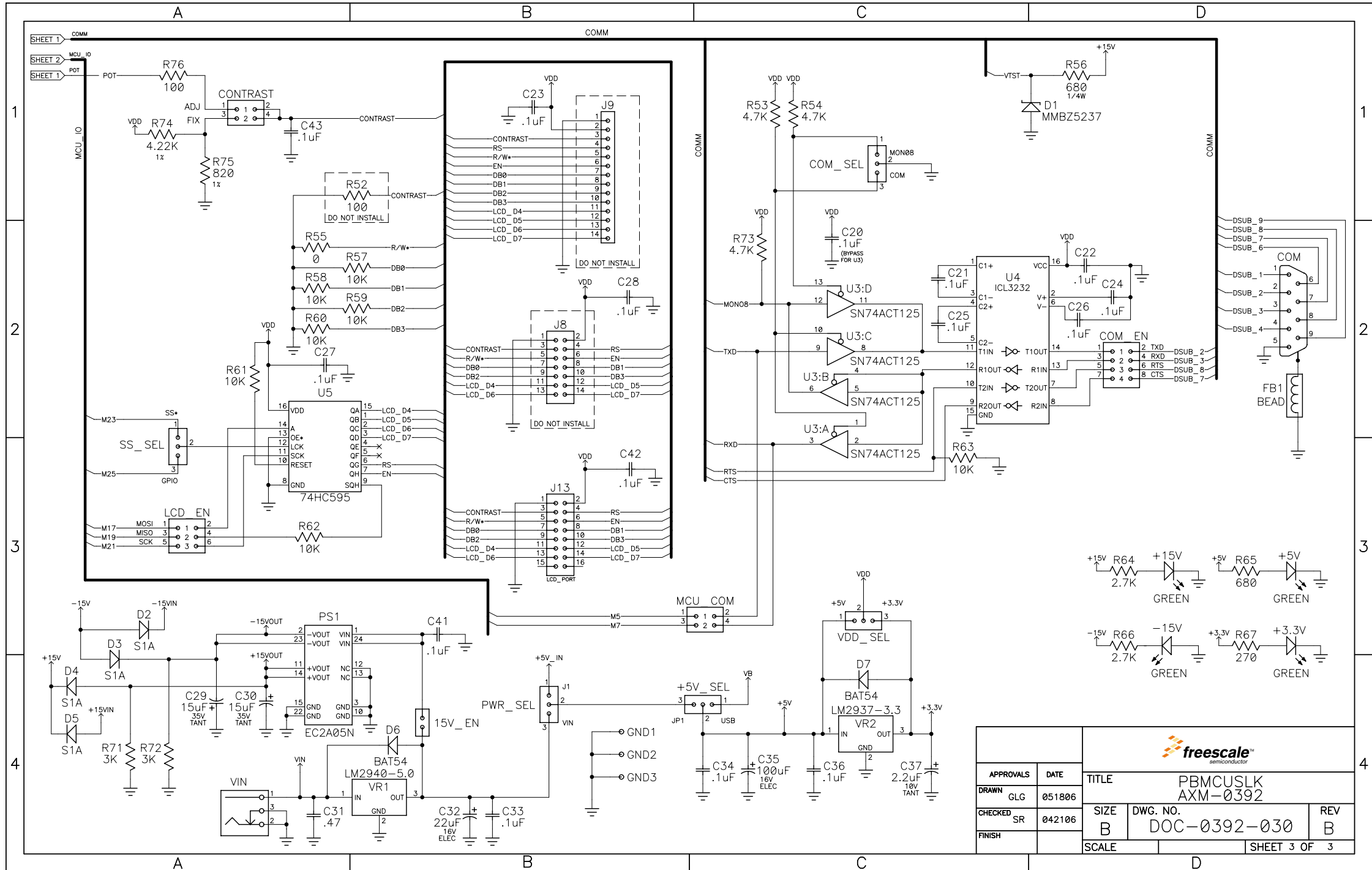


SHEET 1 USER_CONFIGURABLE_I/O

MCU_IO SHEET 3

APPROVALS		DATE	TITLE	
DRAWN	GLG	042106	PBMCSLK AXM-0392	
CHECKED	SR	042106	SIZE	DWG. NO.
FINISH			B	DOC-0392-030
			SCALE	SHEET 2 OF 3
				REV B

Freescale Semiconductor, Inc.



		PBMCUSLK AXM-0392	
APPROVALS	DATE	TITLE	REV
DRAWN	GLG	051806	B
CHECKED	SR	042106	B
FINISH			
SCALE		DWG. NO. DOC-0392-030	SHEET 3 OF 3

Reconfigured with permission of Axiom Manufacturing

Freescale Semiconductor, Inc.