

Application Note 2420

1-Wire Communication with a Microchip PICmicro Microcontroller

www.maxim-ic.com

INTRODUCTION

Microchip's PICmicro[®] microcontroller devices (PICs) have become a popular design choice for low-power and low-cost system solutions. The microcontrollers have multiple general-purpose input/output (GPIO) pins, and can be easily configured to implement Dallas Semiconductor's 1-Wire[®] protocol. The 1-Wire protocol allows interaction with many Dallas Semiconductor parts including battery and thermal management, memory, iButtons[®], and more. This application note will present general 1-Wire routines for a PIC16F628 and explain the timing and associated details. For added simplicity, a 4MHz clock is assumed for all material presented, and this frequency is available as an internal clock on many PICs. Appendix A of this document contains an include file with all 1-Wire routines. Appendix B presents a sample assembly code program designed for a PIC16F628 to read from a DS2761 High-Precision Li+ Battery Monitor. This application note is limited in scope to regular speed 1-Wire communication.

General Macros

In order to transmit the 1-Wire protocol as a master, only two GPIO states are necessary: high impedance and logic low. The following PIC assembly code snippets achieve these two states. The PIC16F628 has two GPIO ports, PORTA and PORTB. Either of the ports could be setup for 1-Wire communication, but for this example, PORTB is used. Also, the following code assumes that a constant DQ has been configured in the assembly code to indicate which bit in PORTB will be the 1-Wire pin. Throughout the code, this bit number is simply called DQ. Externally, this pin must be tied to a power supply via a pullup resistor.

```
OW_HIZ:MACRO
;Force the DQ line into a high impedance state.
    BSF    STATUS,RP0    ; Select Bank 1 of data memory
    BSF    TRISB, DQ     ; Make DQ pin High Z
    BCF    STATUS,RP0    ; Select Bank 0 of data memory
ENDM
```

```
OW_LO:MACRO
;Force the DQ line to a logic low.
    BCF    STATUS,RP0    ; Select Bank 0 of data memory
    BCF    PORTB, DQ     ; Clear the DQ bit
    BSF    STATUS,RP0    ; Select Bank 1 of data memory
    BCF    TRISB, DQ     ; Make DQ pin an output
    BCF    STATUS,RP0    ; Select Bank 0 of data memory
ENDM
```

Both of these snippets of code are written as macros. By writing the code as a macro, it is automatically inserted into the assembly source code by using a single macro call. This limits the number of times the code must be rewritten. The first macro, OW_HIZ, forces the DQ line to a high impedance state. The first step is to choose the bank 1 of data memory because the TRISB register is located in bank 1. Next, the DQ output driver is changed to a high impedance state by setting the DQ bit in the TRISB register. The last line of code changes back to bank 0 of data memory. The last line is not necessary, but is used so that all macros and function calls leave the data memory in a known state.

The second macro, OW_LO, forces the DQ line to a logic low. First, bank 0 of data memory is selected, so the PORTB register can be accessed. The PORTB register is the data register, and contains the values that will be forced to the TRISB pins if they are configured as outputs.

The DQ bit of PORTB is cleared so the line will be forced low. Finally, bank 1 of data memory is selected, and the DQ bit of the TRISB register is cleared, making it an output driver. As always, the macro ends by selecting bank 0 of data memory.

A final macro labeled WAIT is included to produce delays for the 1-Wire signaling. WAIT is used to produce delays in multiples of 5 μ s. The macro is called with a value of TIME in microseconds, and the corresponding delay time is generated. The macro simply calculates the number of times that a 5 μ s delay is needed, and then loops within WAIT5U. The routine WAIT5U is shown in the next section. For each instruction within WAIT, the processing time is given as a comment to help understand how the delay is achieved.

```

WAIT:MACRO TIME
;Delay for TIME  $\mu$ s.
;Variable time must be in multiples of 5 $\mu$ s.
    MOVLW      (TIME/5) - 1    ;1 $\mu$ s to process
    MOVWF     TMP0            ;1 $\mu$ s to process
    CALL      WAIT5U          ;2 $\mu$ s to process
    ENDM

```

General 1-Wire Routines

The 1-Wire timing protocol has specific timing constraints that must be followed in order to achieve successful communication. To aid in making specific timing delays, the routine WAIT5U is used to generate 5 μ s delays. This routine is shown below.

```

WAIT5U:
;This takes 5 $\mu$ s to complete
    NOP                ;1 $\mu$ s to process
    NOP                ;1 $\mu$ s to process
    DECFSZ    TMP0,F    ;1 $\mu$ s if not zero or 2 $\mu$ s if zero
    GOTO      WAIT5U    ;2 $\mu$ s to process
    RETLW     0         ;2 $\mu$ s to process

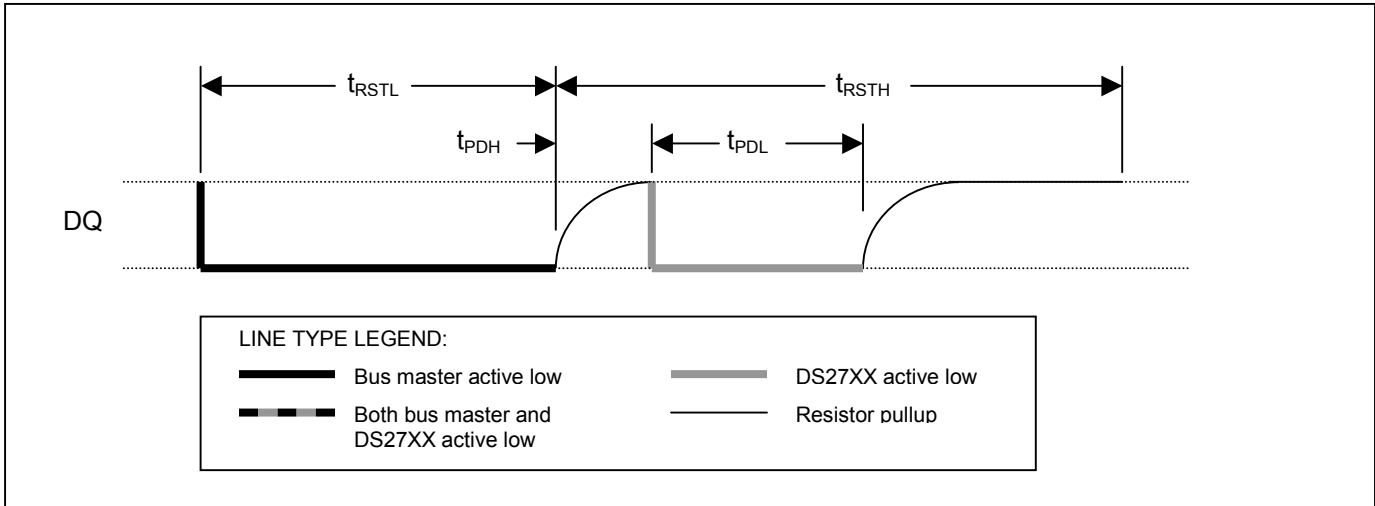
```

When used in combination with the WAIT macro, simple timing delays can be generated. For example, if a 40 μ s delay is needed, WAIT 0.40 would be called. This causes the first 3 lines in WAIT to execute resulting in 4 μ s. Next, the first 4 lines of code in WAIT5U executes in 5 μ s and loops 6 times for a total of 30 μ s. The last loop of WAIT5U takes 6 μ s and then returns back to the WAIT macro. Thus, the total time to process would be 30 + 4 + 6 = 40 μ s.

Table 1. Regular Speed 1-Wire Interface Timing

2.5V \leq V _{DD} \leq 5.5V, T _A = -20°C to 70°C.)					
PARAMETER	SYMBOL	MIN	TYP	MAX	UNITS
Time Slot	t _{SLOT}	60		120	μ s
Recovery Time	t _{REC}	1			μ s
Write 0 Low Time	t _{LOW0}	60		120	μ s
Write 1 Low Time	t _{LOW1}	1		15	μ s
Read Data Valid	t _{RDV}			15	μ s
Reset Time High	t _{RSTH}	480			μ s
Reset Time Low	t _{RSTL}	480		960	μ s
Presence Detect High	t _{PDH}	15		60	μ s
Presence Detect Low	t _{PDL}	60		240	μ s

The start of any 1-Wire transaction begins with a reset pulse from the master device followed by a presence detect pulse from the slave device. Figure 1 illustrates this transaction. This initialization sequence can easily be transmitted via the PIC, and the assembly code is shown below Figure 1. The 1-Wire timing specifications for initialization, reading, and writing are given above in Table 1. These parameters are referenced throughout the rest of the document.

Figure 1. 1-Wire Initialization Sequence

```

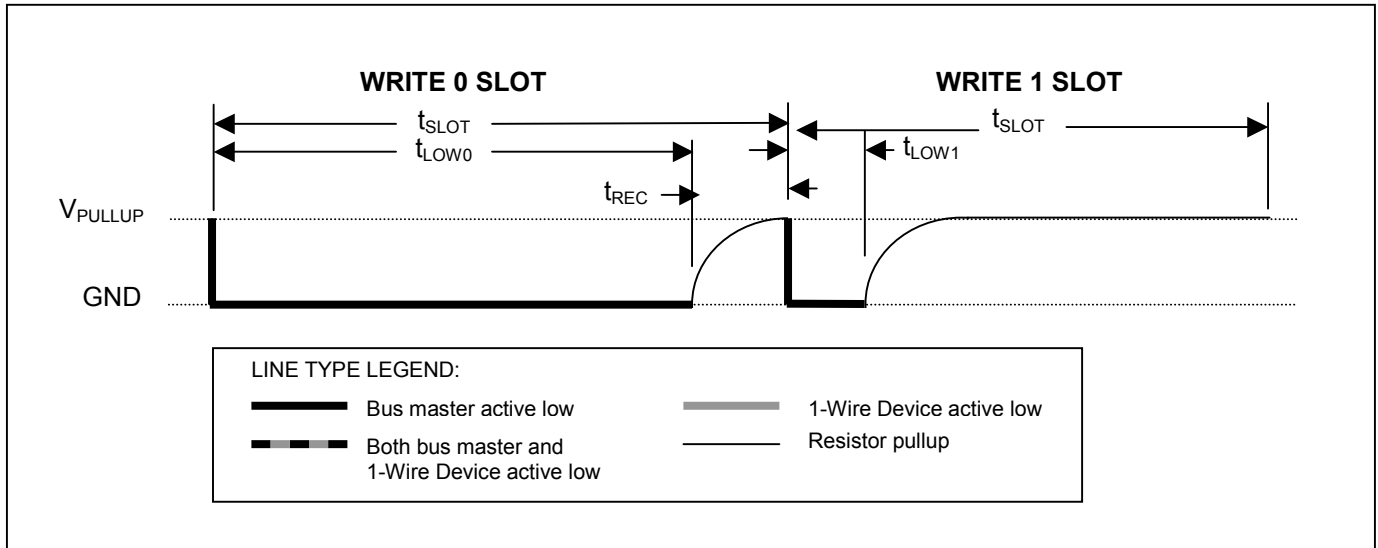
OW_RESET:
  OW_HIZ          ; Start with the line high
  CLRF           PDBYTE      ; Clear the PD byte
  OW_LO
  WAIT          .500        ; Drive Low for 500µs
  OW_HIZ
  WAIT          .70         ; Release line and wait 70µs for PD Pulse
  BTFSS        PORTB,DQ     ; Read for a PD Pulse
  INCF         PDBYTE,F     ; Set PDBYTE to 1 if get a PD Pulse
  WAIT          .430        ; Wait 430µs after PD Pulse
  RETLW        0

```

The OW_RESET routine starts by ensuring the DQ pin is in a high impedance state so it can be pulled high by the pullup resistor. Next, it clears the PDBYTE register so it is ready to validate the next presence detect pulse. After that, the DQ pin is driven low for 500µs. This meets the t_{RSTL} parameter shown in Table 1, and also provides a 20µs additional buffer. After driving the pin low, the pin is released to a high impedance state and a delay of 70µs is added before reading for the presence detect pulse. Using 70µs ensures that the PIC will sample at a valid time for any combination of t_{PDL} and t_{PDH} . Once the presence detect pulse is read, the PDBYTE register is adjusted to show the logic level read. The DQ pin is then left in a high-impedance state for an additional 430µs to ensure that the t_{RSTH} time has been met, and includes a 20µs additional buffer.

The next routine needed for 1-Wire communication is DSTXBYTE, which is used to transmit data to a 1-Wire slave device. The PIC code for this routine is shown below Figure 2. This routine is called with the data to be sent in the WREG register, and it is immediately moved to the IOBYTE register. Next, a COUNT register is initialized to 8 to count the number of bits sent out the DQ line. Starting at the DSTXLP, the PIC starts sending out data. First the DQ pin is driven low for 5µs regardless of what logic level is sent. This ensures the t_{LOW1} time is met. Next, the lsb of the IOBYTE is shifted into the CARRY bit, and then tested for a one or a zero. If the CARRY is a one, the DQ bit of PORTB is set which changes the pin to a high impedance state and the line is pulled high by the pullup resistor. If the CARRY is a zero, the line is kept low. Next a delay of 60µs is added to allow for the minimum t_{LOW0} time. After the 60µs wait, the pin is changed to a high impedance state, and then an additional 2µs are added for pullup resistor recovery. Finally, the COUNT register is decremented. If the COUNT register is zero, all eight bits have been sent and the routine is done. If the COUNT register is not zero, another bit is sent starting at DSTXLP. A visual interpretation of the write zero and write one procedure is shown in Figure 2.

Figure 2. 1-Wire Write Time Slots

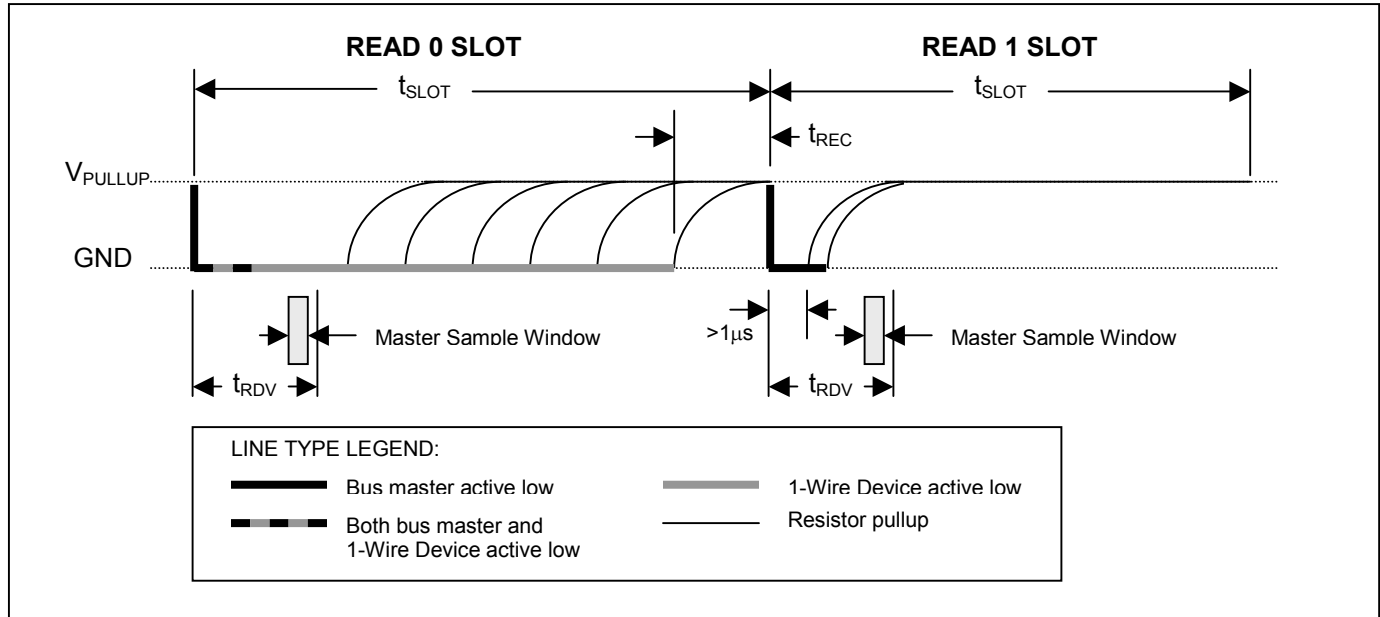


```

DSTXBYTE:
    MOVWF    IOBYTE    ; Byte to send starts in W
    MOVLW   .8         ; We send it from IOBYTE
    MOVWF    COUNT    ; Set COUNT equal to 8 to count the bits
DSTXLP:
    OW_LO
    NOP
    NOP
    NOP
    NOP
    NOP
    RRF      IOBYTE,F  ; Drive the line low for 5µs
    BTFSC   STATUS,C  ; The data byte
    BSF     PORTB,DQ  ; Check the LSB of IOBYTE for 1 or 0
    WAIT    .60       ; Drive the line high if LSB is 1
    OW_HIZ  ; Continue driving line for 60µs
    NOP     ; Release the line for pullup
    NOP
    NOP
    DECFSZ  COUNT,F  ; Recovery time of 2µs
    GOTO    DSTXLP   ; Decrement the bit counter
    RETLW   0
    
```

The final routine for 1-Wire communication is DSRXBYTE, which allows the PIC to receive information from a slave device. The code is shown below Figure 3. The COUNT register is initialized to 8 before any DQ activity begins and its function is to count the number of bits received. The DSRXLP begins by driving the DQ pin low to signal to the slave device that the PIC is ready to receive data. The line is driven low for 6µs, and then released by putting the DQ pin into a high impedance state. Next, the PIC waits an additional 4µs before sampling the data line. There is 1 line of code in OW_LO after the line is driven low, and 3 lines of code within OW_HIZ. Each line takes 1µs to process. Adding up all the time results in 1 + 6 + 3 + 4 = 14µs which is just below the tRDV spec of 15µs. After the PORTB register is read, the DQ bit is masked off, and then the register is added to 255 to force the CARRY bit to mirror the DQ bit. The CARRY bit is then shifted into IOBYTE where the incoming byte is stored. Once the byte is stored a delay of 50µs is added to ensure that tSLOT is met. The last check is to determine if the COUNT register is zero. If it is zero, 8 bits have been read, and the routine is exited. Otherwise, the loop is repeated at DSRXLP. The read zero and read one transactions are visually shown in Figure 3.

Figure 3. 1-Wire Read Time Slots



```

DSRXBYTE:                                ; Byte read is stored in IOBYTE
    MOVLW    .8
    MOVWF    COUNT                        ; Set COUNT equal to 8 to count the bits
DSRXLP:
    OW_LO
    NOP
    NOP
    NOP
    NOP
    NOP
    NOP
    NOP
    NOP
    OW_HI
    NOP
    NOP
    NOP
    NOP
    MOVF     PORTB,W                       ; Change to HiZ and Wait 4μs
    ANDLW    1<<DQ                         ; Read DQ
    ADDLW    .255                          ; Mask off the DQ bit
    RRF      IOBYTE,F                      ; C = 1 if DQ = 1: C = 0 if DQ = 0
    WAIT     .50                          ; Shift C into IOBYTE
    DECFSZ   COUNT,F                      ; Wait 50μs to end of time slot
    GOTO     DSRXLP                        ; Decrement the bit counter
RETLW      0
    
```

SUMMARY

Dallas Semiconductor's 1-Wire communication protocol can easily be implemented on Microchip's PICmicro line of microcontrollers. In order to complete 1-Wire transactions, only two GPIO states are needed, and the multiple GPIOs on a PIC are easily configured for this task. There are three basic routines necessary for 1-Wire communication: Initialization, Read Byte, and Write Byte. These three routines have been presented and thoroughly detailed to provide accurate 1-Wire regular speed communication. This allows a PIC to interface with any of the many Dallas Semiconductor 1-Wire devices. Appendix A of this document has all three routines in a convenient include file. Appendix B contains a small assembly program meant to interface a PIC16F628 to a DS2761 High-Precision Li+ Battery Monitor.

APPENDIX A: 1-WIRE INCLUDE FILE (1W_16F6X.INC)

```

; *****
;
;
; Dallas 1-Wire Support for PIC16F628
;
; Processor has 4MHz clock and 1µs per instruction cycle.
; *****
;
; *****
; Dallas Semiconductor 1-Wire MACROS
; *****
OW_HIZ:MACRO
    BSF        STATUS,RP0    ; Select Bank 1 of data memory
    BSF        TRISB, DQ     ; Make DQ pin High Z
    BCF        STATUS,RP0    ; Select Bank 0 of data memory
    ENDM
; -----
OW_LO:MACRO
    BCF        STATUS,RP0    ; Select Bank 0 of data memory
    BCF        PORTB, DQ     ; Clear the DQ bit
    BSF        STATUS,RP0    ; Select Bank 1 of data memory
    BCF        TRISB, DQ     ; Make DQ pin an output
    BCF        STATUS,RP0    ; Select Bank 0 of data memory
    ENDM
; -----
WAIT:MACRO TIME
;Delay for TIME µs.
;Variable time must be in multiples of 5µs.
    MOVLW     (TIME/5)-1    ;1µs
    MOVWF     TMP0          ;1µs
    CALL      WAIT5U        ;2µs
    ENDM
; *****
; Dallas Semiconductor 1-Wire ROUTINES
; *****
WAIT5U:
;This takes 5uS to complete
    NOP                ;1µs
    NOP                ;1µs
    DECFSZ     TMP0,F     ;1µs or 2µs
    GOTO       WAIT5U    ;2µs
    RETLW     0           ;2µs
; -----
OW_RESET:
    OW_HIZ                ; Start with the line high
    CLRF        PDBYTE    ; Clear the PD byte
    OW_LO
    WAIT        .500      ; Drive Low for 500µs
    OW_HIZ
    WAIT        .70       ; Release line and wait 70µs for PD Pulse
    BTFSS      PORTB,DQ   ; Read for a PD Pulse
    INCF       PDBYTE,F   ; Set PDBYTE to 1 if get a PD Pulse

```

```

    WAIT      .400      ; Wait 400µs after PD Pulse
    RETLW     0
;-----
DSRXBYTE:
    MOVLW    .8
    MOVWF    COUNT     ; Set COUNT equal to 8 to count the bits
DSRXLP:
    OW_LO
    NOP
    NOP
    NOP
    NOP
    NOP
    NOP
    NOP          ; Bring DQ low for 6µs
    OW_HIZ
    NOP
    NOP
    NOP
    NOP          ; Change to HiZ and Wait 4µs
    MOVF     PORTB,W    ; Read DQ
    ANDLW    1<<DQ     ; Mask off the DQ bit
    ADDLW    .255       ; C=1 if DQ=1: C=0 if DQ=0
    RRF      IOBYTE,F   ; Shift C into IOBYTE
    WAIT     .50        ; Wait 50µs to end of time slot
    DECFSZ   COUNT,F   ; Decrement the bit counter
    GOTO     DSRXLP
    RETLW    0
;-----
DSTXBYTE:
    MOVWF    IOBYTE     ; Byte to send starts in W
    MOVLW    .8
    MOVWF    COUNT     ; We send it from IOBYTE
    ; Set COUNT equal to 8 to count the bits
DSTXLP:
    OW_LO
    NOP
    NOP
    NOP
    NOP
    NOP
    RRF      IOBYTE,F   ; Drive the line low for 5µs
    BTFSC    STATUS,C   ; The data byte
    BSF      PORTB,DQ   ; Check the LSB of IOBYTE for 1 or 0
    WAIT     .60        ; Drive the line high if LSB is 1
    OW_HIZ   ; Continue driving line for 60µs
    NOP          ; Release the line for pullup
    NOP
    NOP          ; Recovery time of 2µs
    DECFSZ   COUNT,F   ; Decrement the bit counter
    GOTO     DSTXLP
    RETLW    0
;-----

```

APPENDIX B: PIC16F628 TO DS2761 ASSEMBLY CODE (PIC_2_1W.ASM)

```

*****
;
; Dallas Semiconductor PIC code
;
; This code will interface a PIC16F628 microcontroller to
; a DS2761 High-Precision Li+ Battery Monitor
;
*****;
;
;
;
;           VCC
;           ^
;           |
;           |
;           /
;          \| Rpup
;           \
;           |
; 16F628 ----- DQ (pin 7)
; RB1 (pin 7) ----- DQ (pin 7)
;
;           DS2761
;
*****;
;-----;
; List your processor here.
;
; list p=16F628
;
; Include the processor header file here.
;
; #include <p16F628.inc>
;-----;
; Assign the PORTB with Constants
;
; constant DQ=1 ; Use RB1 (pin7) for 1-Wire
;-----;
; These constants are standard 1-Wire ROM commands
;
; constant SRCHROM=0xF0
; constant RDRM=0x33
; constant MTCHROM=0x55
; constant SKPROM=0xCC
;-----;
; These constants are used throughout the code
;
; cblock          0x20
;                IOBYTE
;                TMP0 ; Address 0x23
;                COUNT ; Keep track of bits
;                PICMSB ; Store the MSB
;                PICLSB ; Store the LSB
;                PDBYTE ; Presence Detect Pulse
;
; endc
;-----;
; Setup your configuration word by using __config.

```



```
; For the 16F628, the bits are:
; CP1,CP0,CP1,CP0,N/A, CPD, LVP, BODEN, MCLRE, FOSC2, PWRTE, WDTE, FOSC1, FOSC0
; CP1 and CP0 are the Code Protection bits
; CPD: is the Data Code Protection Bit
; LVP is the Low Voltage Programming Enable bit
; PWRTE is the power-up Timer enable bit
; WDTE is the Watchdog timer enable bit
; FOSC2, FOSC1 and FOSC0 are the oscillator selection bits.

; CP disabled, LVP disabled, BOD disabled, MCLR enabled, PWRT disabled, WDT disabled, INTRC I/O oscillator
; 11111100111000
```

```
__config 0x3F38
```

```
;-----
; Set the program origin for subsequent code.
```

```
org 0x00
GOTO     SETUP
NOP
NOP
NOP
GOTO     INTERRUPT      ; PC 0x04...INTERRUPT VECTOR!
```

```
;-----
INTERRUPT:
    SLEEP
```

```
;-----
; Option Register bits
;
; RBPU,INTEDG,TOCS,TOSE,PSA,PS2,PS1,PS0
; 7=PORTB Pullup Enable, 6=Interrupt Edge Select, 5=TMR0 Source,
; 4=TMR0 Source Edge, 3=Prescaler Assign, 2-0=Prescaler Rate Select
```

```
; 11010111
; PORTB pullups disabled,rising edge,internal,hightolow,TMR0,1:256
```

```
SETUP:
    BCF     STATUS,RP1
    BSF     STATUS,RP0      ; Select Bank 1 of data memory
    MOVLW  0xD7
    MOVWF  OPTION_REG
    BCF     STATUS,RP0      ; Select Bank 0 of data memory
```

```
;-----
    BCF     INTCON,7      ; Disable all interrupts.
```

```
;-----
    GOTO   START
```

```
;-----
; Include the 1-Wire communication routines and macros
```

```
    #INCLUDE 1w_16f6x.inc
```

```
;-----
START:
```

```
;-----
GET_TEMP:
    CALL   OW_RESET      ; Send Reset Pulse and read for Presence Detect Pulse
    BTFSS  PDBYTE,0      ; 1 = Presence Detect Detected
```

```

GOTO      NOPDPULSE
MOVLW    SKPROM
CALL     DSTXBYTE      ; Send Skip ROM Command (0xCC)
MOVLW    0x69
CALL     DSTXBYTE      ; Send Read Data Command (0x69)
MOVLW    0x0E
CALL     DSTXBYTE      ; Send the DS2761 Current Register MSB address (0x0E)
CALL     DSRXBYTE      ; Read the DS2761 Current Register MSB
MOVF     IOBYTE,W
MOVWF    PICMSB        ; Put the Current MSB into file PICMSB
CALL     DSRXBYTE      ; Read the DS2761 Current Register LSB
MOVF     IOBYTE,W
MOVWF    PICLSB        ; Put the Current LSB into file PICLSB
CALL     OW_RESET

NOPDPULSE:                ; Add some error processing here!
SLEEP                    ; Put PIC to sleep
;-----
end

```