

Ledtech DUAL DIGIT DISPLAY

0.56" DUAL DIGIT DISPLAY Electrical/Optical Characteristics at $T_A=25^\circ\text{C}$ & $I_F=20\text{mA}$

CHIP COLOR	0.56 inch DUAL DIGIT DUPLEX DRIVE		0.56 inch DUAL DIGIT DIRECT DRIVE		0.56 inch DUAL DIGIT DIAMOND SEGMENT		λ_p (nm)	V_F (V)	I_V (mcd)	
	COMMON ANODE	COMMON CATHODE	COMMON ANODE	COMMON CATHODE	COMMON ANODE	COMMON CATHODE	TYP.	TYP.	MIN.	TYP.
GREEN	LD5622-11	LE5622-11	LA5622-11	LC5622-11	LA5622-S2	LC5622-S2	572	2.1	3.9	6.5
YELLOW	LD5632-11	LE5632-11	LA5632-11	LC5632-11	LA5632-S2	LC5632-S2	589	2.1	3.1	5.2
ORANGE	LD5642-11	LE5642-11	LA5642-11	LC5642-11	LA5642-S2	LC5642-S2	630	2.1	4.5	7.4
ORANGE	LD5642R-11	LE5642R-11	LA5642R-11	LC5642R-11	LA5642R-S2	LC5642R-S2	630	2.1	4.5	7.4
RED	LD5672-11-M1	LE5672-11-M1	LA5672-11-M1	LC5672-11-M1	LA5672-S2-M1	LC5672-S2-M1	660	1.7	10.4	17.3
RED	LD5652-11	LE5652-11	LA5652-11	LC5652-11	LA5652-S2	LC5652-S2	700	2.1	1.1	1.8

LD56X2-11

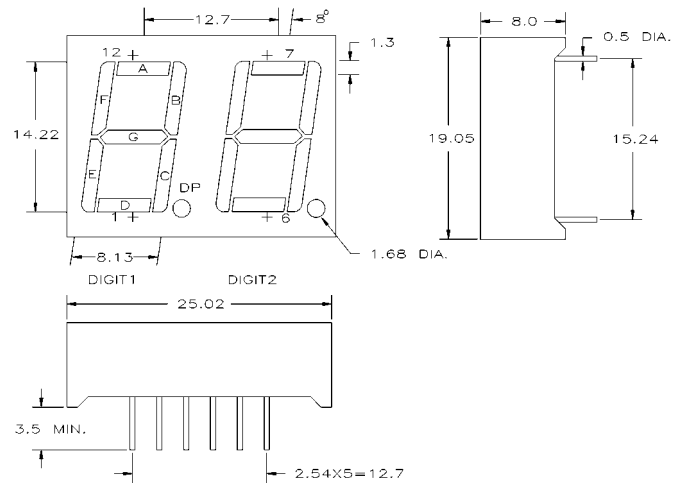
COMMON ANODE

PIN NO.	FUNCTION
1.	CATHODE E
2.	CATHODE D
3.	CATHODE DP
4.	CATHODE C
5.	CATHODE G
6.	NO CONNECTION
7.	CATHODE B
8.	NO CONNECTION
9.	COMMON ANODE (DIGIT 2)
10.	CATHODE F
11.	CATHODE A
12.	COMMON ANODE (DIGIT 1)

LE56X2-11

COMMON CATHODE

PIN NO.	FUNCTION
1.	ANODE E
2.	ANODE D
3.	ANODE DP
4.	ANODE C
5.	ANODE G
6.	NO CONNECTION
7.	ANODE B
8.	NO CONNECTION
9.	COMMON CATHODE (DIGIT 2)
10.	ANODE F
11.	ANODE A
12.	COMMON CATHODE (DIGIT 1)



LA56X2-11

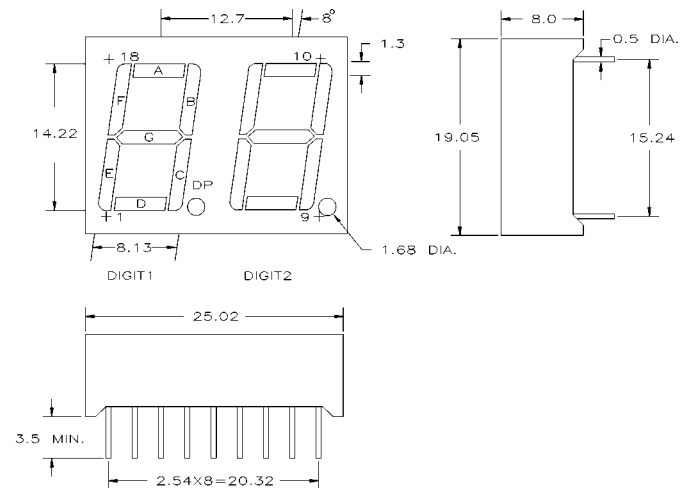
COMMON ANODE

PIN NO.	FUNCTION
1.	CATHODE E (DIGIT 1)
2.	CATHODE D (DIGIT 1)
3.	CATHODE C (DIGIT 1)
4.	CATHODE DP (DIGIT 1)
5.	CATHODE E (DIGIT 2)
6.	CATHODE D (DIGIT 2)
7.	CATHODE G (DIGIT 2)
8.	CATHODE C (DIGIT 2)
9.	CATHODE DP (DIGIT 2)
10.	CATHODE B (DIGIT 2)
11.	CATHODE A (DIGIT 2)
12.	CATHODE F (DIGIT 2)
13.	COMMON ANODE (DIGIT 2)
14.	COMMON ANODE (DIGIT 1)
15.	CATHODE B (DIGIT 1)
16.	CATHODE A (DIGIT 1)
17.	CATHODE G (DIGIT 1)
18.	CATHODE F (DIGIT 1)

LC56X2-11

COMMON CATHODE

PIN NO.	FUNCTION
1.	ANODE E (DIGIT 1)
2.	ANODE D (DIGIT 1)
3.	ANODE C (DIGIT 1)
4.	ANODE DP (DIGIT 1)
5.	ANODE E (DIGIT 2)
6.	ANODE D (DIGIT 2)
7.	ANODE G (DIGIT 2)
8.	ANODE C (DIGIT 2)
9.	ANODE DP (DIGIT 2)
10.	ANODE B (DIGIT 2)
11.	ANODE A (DIGIT 2)
12.	ANODE F (DIGIT 2)
13.	COMMON CATHODE (DIGIT 2)
14.	COMMON CATHODE (DIGIT 1)
15.	ANODE B (DIGIT 1)
16.	ANODE A (DIGIT 1)
17.	ANODE G (DIGIT 1)
18.	ANODE F (DIGIT 1)

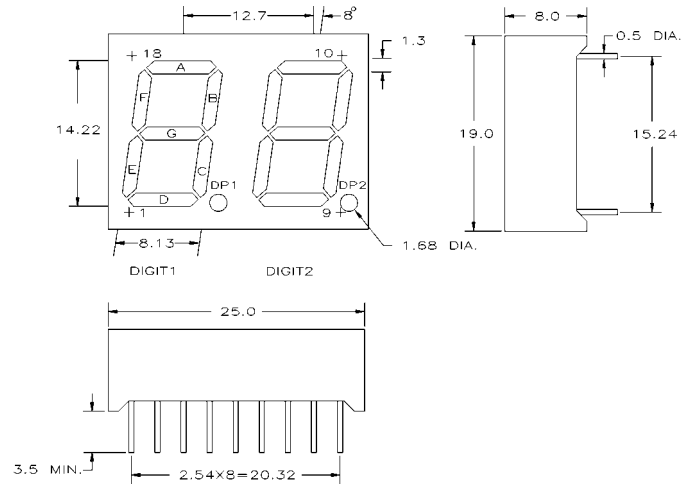


**LA56X2- S2
COMMON ANODE**

PIN NO.	FUNCTION
1. CATHODE	E (DIGIT 1)
2. CATHODE	D (DIGIT 1)
3. CATHODE	C (DIGIT 1)
4. CATHODE	DP (DIGIT 1)
5. CATHODE	E (DIGIT 2)
6. CATHODE	D (DIGIT 2)
7. CATHODE	G (DIGIT 2)
8. CATHODE	C (DIGIT 2)
9. CATHODE	DP (DIGIT 2)
10. CATHODE	B (DIGIT 2)
11. CATHODE	A (DIGIT 2)
12. CATHODE	F (DIGIT 2)
13. COMMON ANODE (DIGIT 2)	
14. COMMON ANODE (DIGIT 1)	
15. CATHODE	B (DIGIT 1)
16. CATHODE	A (DIGIT 1)
17. CATHODE	G (DIGIT 1)
18. CATHODE	F (DIGIT 1)

**LC56X2- S2
COMMON CATHODE**

PIN NO.	FUNCTION
1. ANODE	E (DIGIT 1)
2. ANODE	D (DIGIT 1)
3. ANODE	C (DIGIT 1)
4. ANODE	DP (DIGIT 1)
5. ANODE	E (DIGIT 2)
6. ANODE	D (DIGIT 2)
7. ANODE	G (DIGIT 2)
8. ANODE	C (DIGIT 2)
9. ANODE	DP (DIGIT 2)
10. ANODE	B (DIGIT 2)
11. ANODE	A (DIGIT 2)
12. ANODE	F (DIGIT 2)
13. COMMON CATHODE (DIGIT 2)	
14. COMMON CATHODE (DIGIT 1)	
15. ANODE	B (DIGIT 1)
16. ANODE	A (DIGIT 1)
17. ANODE	G (DIGIT 1)
18. ANODE	F (DIGIT 1)



NOTES : 1.ALL DIMENSIONS ARE IN mm, TOLERANCE IS $\pm 0.25\text{mm}$ (0.01") UNLESS OTHERWISE NOTED.
2.THE SLOPE ANGLE OF ANY PIN MAY BE $\pm 5^\circ$ MAX.