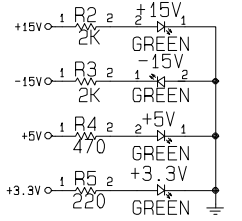
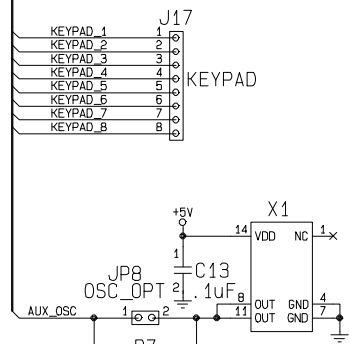
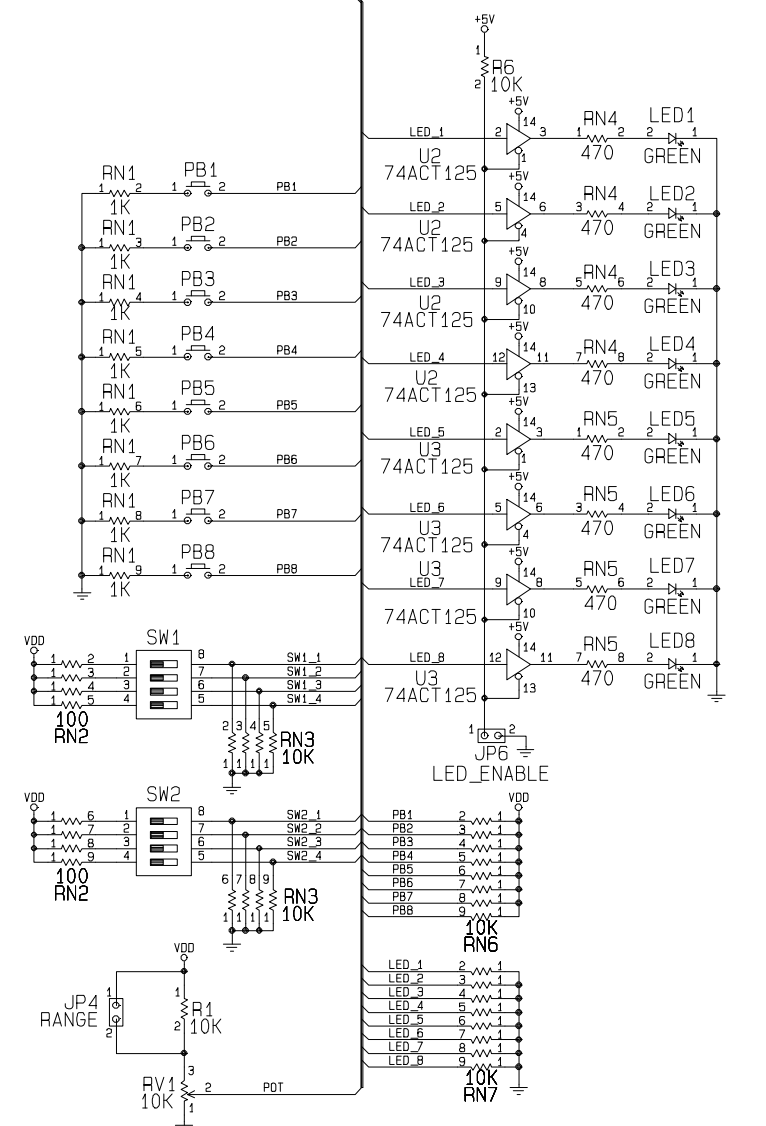
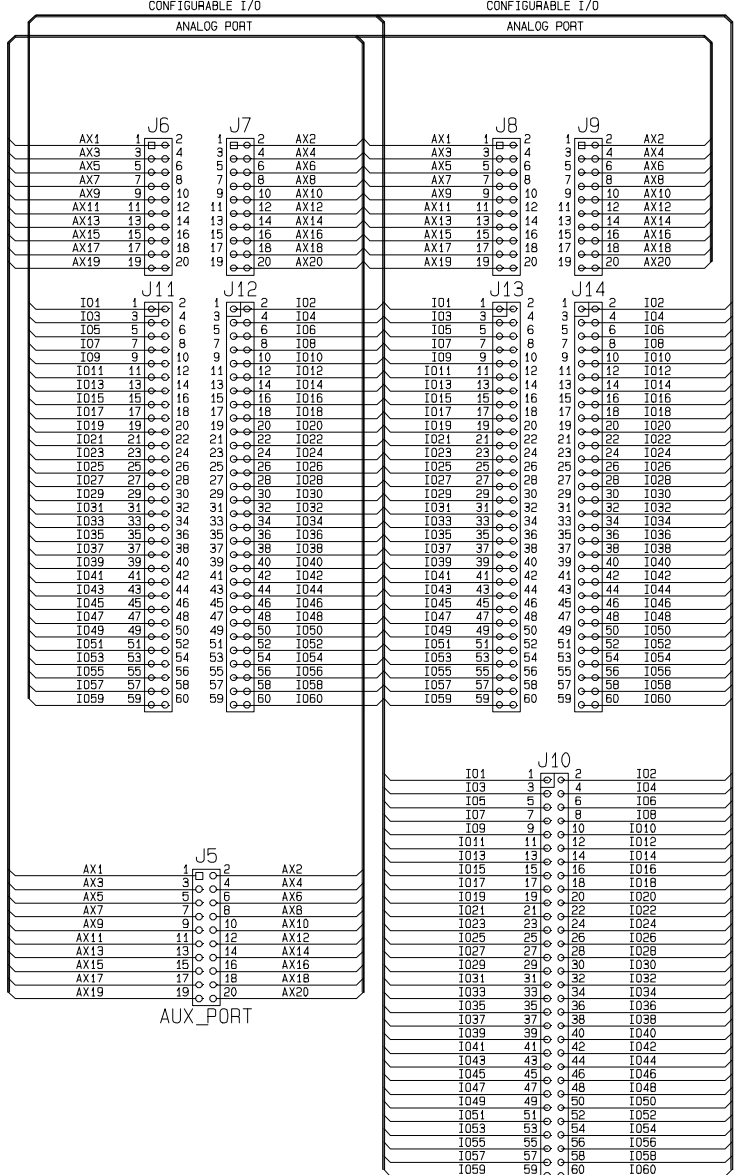
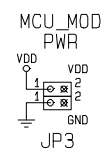


SHEET 2  
SHEET 3

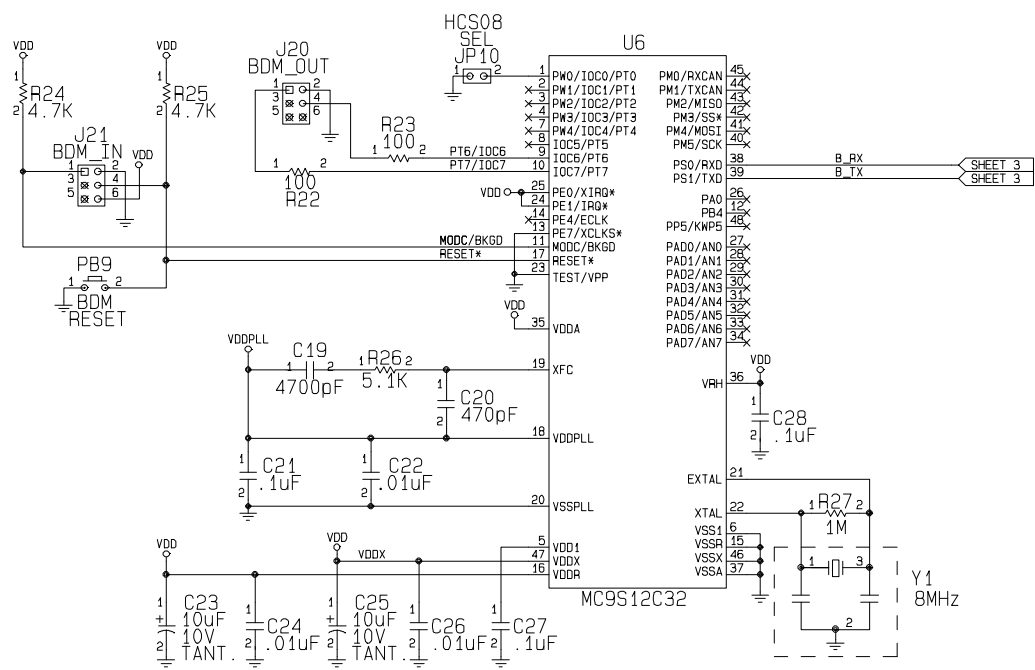
SHEET 2 AUX\_OSC

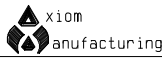
|                |        |   |              |
|----------------|--------|---|--------------|
|                |        |   |              |
|                |        | TITLE<br><b>MCU PROJECT BOARD</b><br>AXM-0331 |              |
| APPROVALS      | DATE   | SIZE  | DWG NO.      |
| DRAWN<br>GLM   | 040104 | D   | AX-SCH-0311  |
| CHECKED<br>DSR | 040104 |   | REV<br>C     |
| FINISH         |        | SCALE   | SHEET 1 OF 4 |



|           |     |        |                               |              |
|-----------|-----|--------|-------------------------------|--------------|
| APPROVALS |     | DATE   | TITLE                         |              |
| DRAWN     | GLM | 040104 | MCU PROJECT BOARD<br>AXM-0331 |              |
| CHECKED   | DSR | 040104 | DWG NO.                       | AX-SCH-0311  |
| FINISH    |     |        | SCALE                         | SHEET 2 OF 4 |





|             |        |   |              |
|-------------|--------|---|--------------|
|             |        |  |              |
|             |        | <b>TITLE</b><br>MCU PROJECT BOARD<br>AXM-0331   |              |
| APPROVALS   | DATE   | SIZE  | REV          |
| DRANN GLM   | 040104 | D   | C            |
| CHECKED RDF | 040104 | DWG NO.   | AX-SCH-0311  |
| FINISH      |        | SCALE   | SHEET 4 OF 4 |