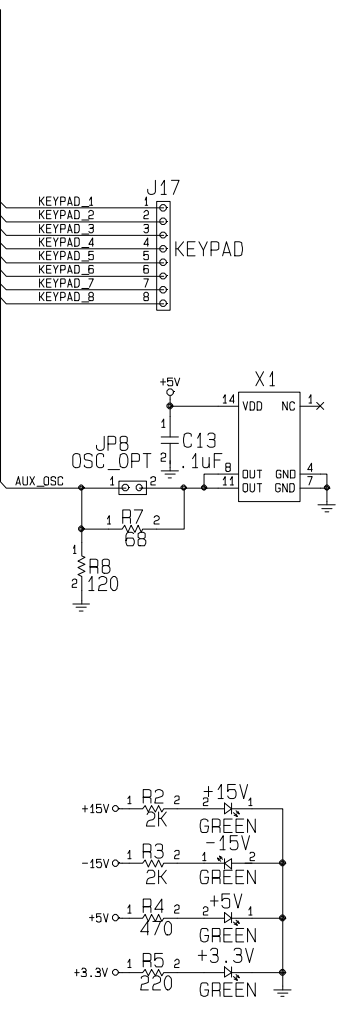
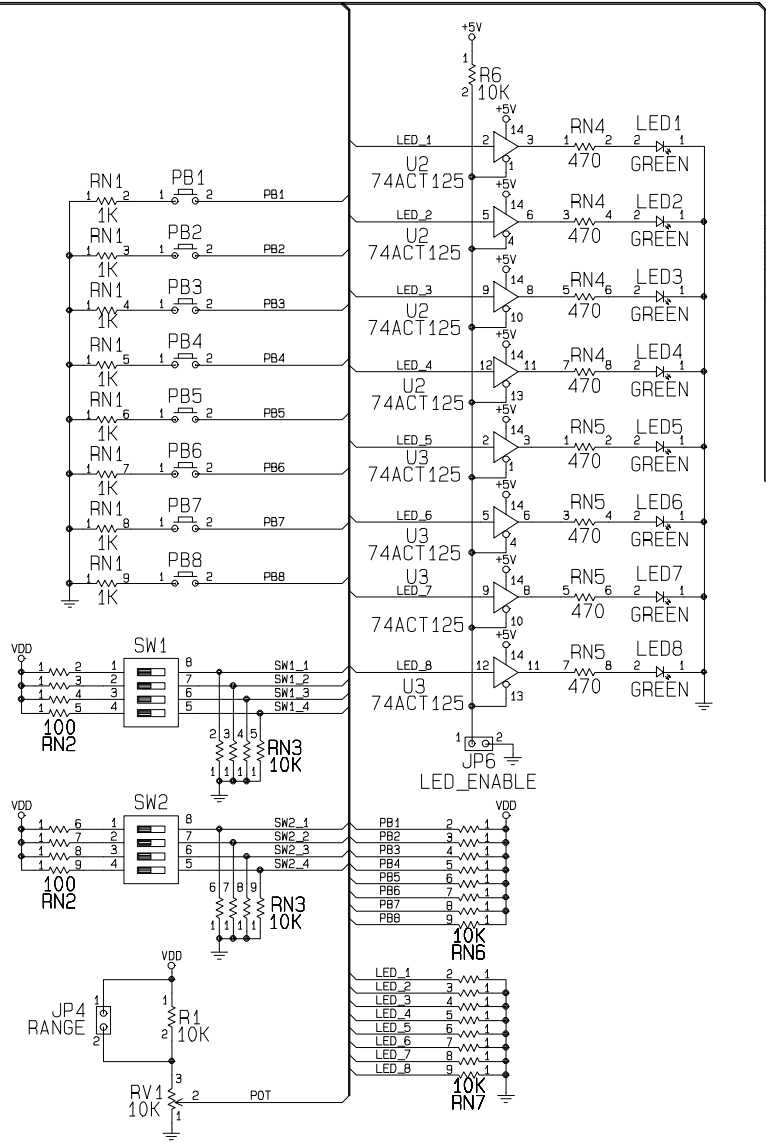
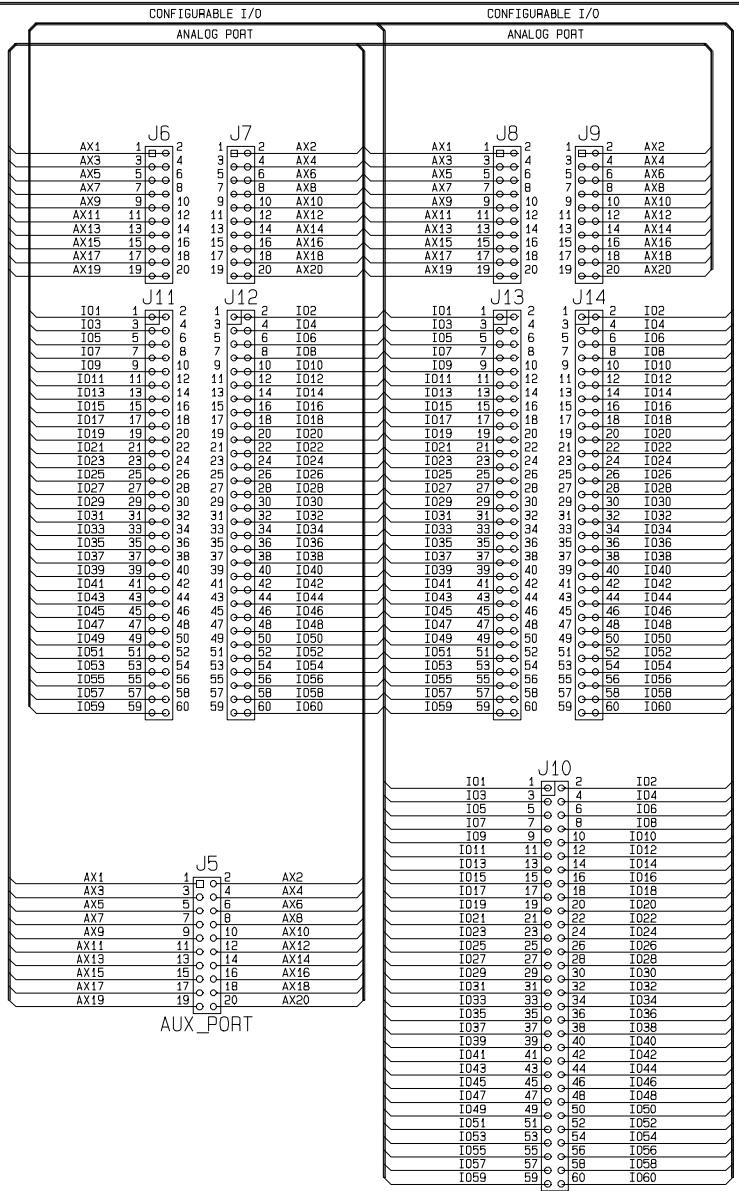
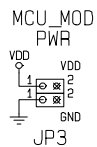


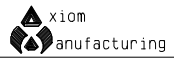
SHEET 2  
SHEET 3

SHEET 2 AUX\_DSC

		TITLE		MCU PROJECT BOARD	
		DRAWN		AXM-0331	
APPROVALS	DATE	SIZE	DWG. NO.	REV	
GLM	081004	D	AX-SCH-0311	D	
CHECKED	DSR	081004			
FINISH		SCALE			SHEET 1 OF 4



APPROVALS		DATE		TITLE	
GLM		081004		MCU PROJECT BOARD AXM-0331	
DSR		081004		SIZE	AX-SCH-0311
FINISH		SCALE		REV	D
				SHEET 2 OF 4	

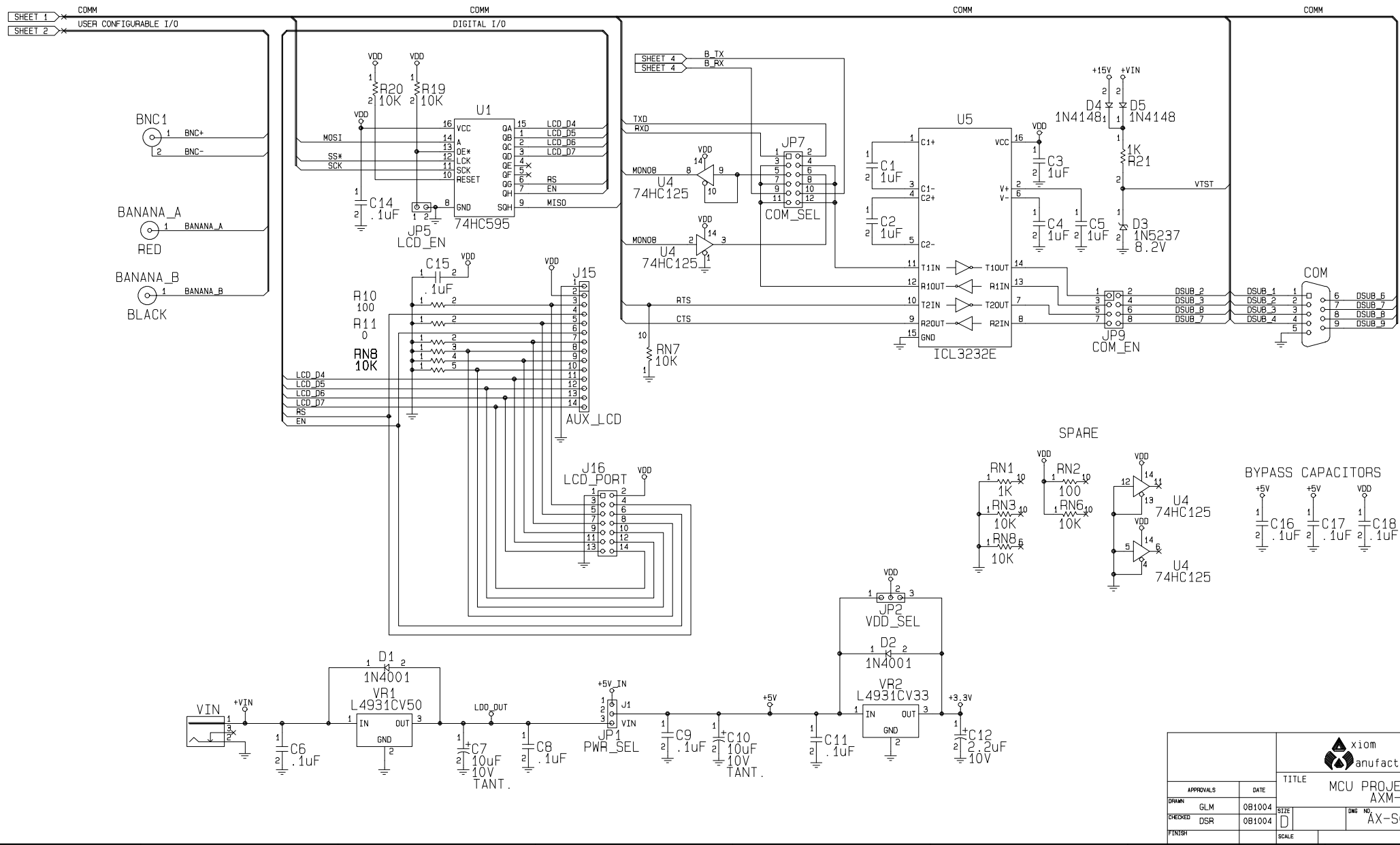


MCU PROJECT BOARD  
AXM-0331

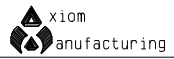
REV D

SHEET 2 OF 4

SHEET 1 CDM  
SHEET 2 USER CONFIGURABLE I/O



APPROVALS		DATE		TITLE	
DRWN	GLM	081004		MCU PROJECT BOARD AXM-0331	
CHECKED	DSR	081004		SIZE	DWG NO. AX-SCH-0311
FINISH				SCALE	REV D
				SHEET 3 OF 4	

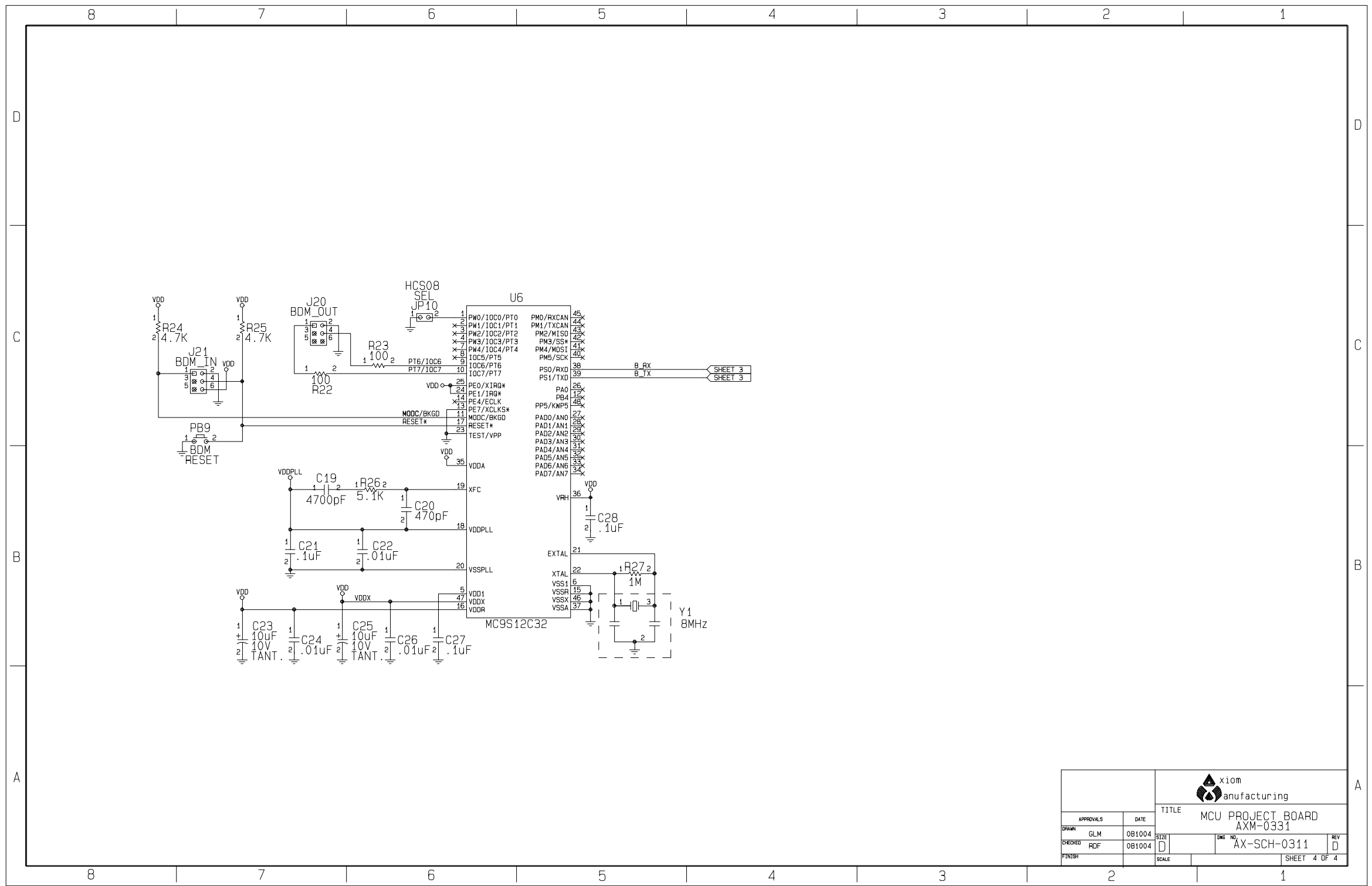


MCU PROJECT BOARD  
AXM-0331

AX-SCH-0311

REV D

SHEET 3 OF 4



APPROVALS		DATE	TITLE	
DRAWN	GLM	081004	MCU PROJECT BOARD	
CHECKED	RDF	081004	AXM-0331	REV D
FINISH			AX-SCH-0311	SHEET 4 OF 4

