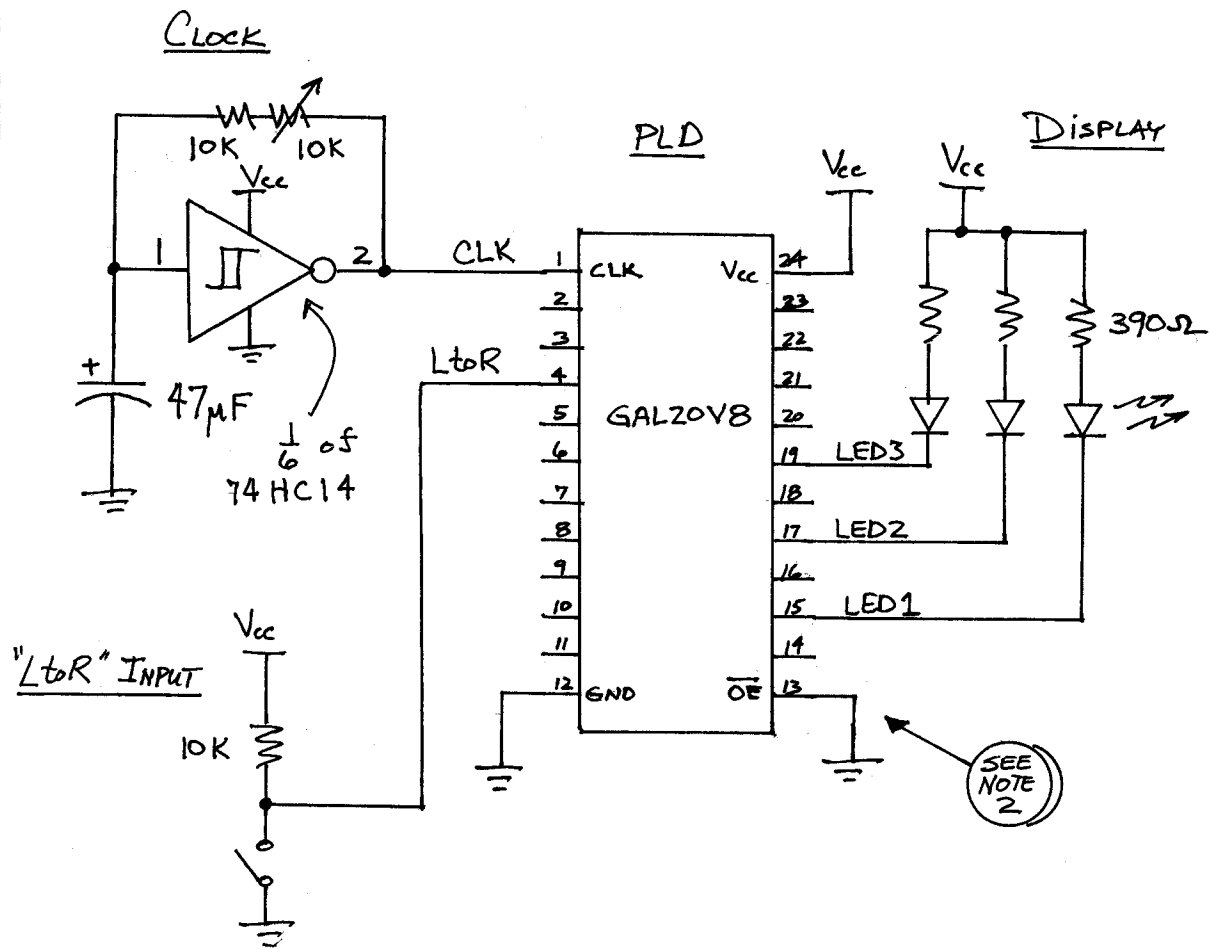


HARDWARE SCHEMATIC FOR "LIGHTS" CIRCUIT



NOTES

- (1) $V_{cc} = 5.0V$
- (2) \overline{OE} of GAL (pin 13) must be grounded in order to enable the output signals
- (3) Clock frequency is $\sim 2Hz$
- (4) Unused inputs are automatically programmed for internal pull-up resistors, so they may remain unconnected (the manufacturer recommends that unused inputs be tied to a known voltage level for improved noise immunity, however)