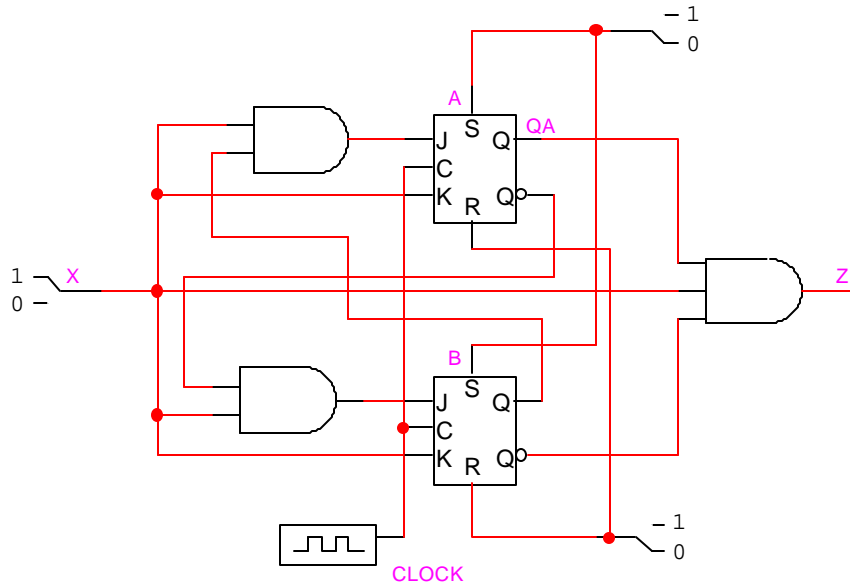


1 Obtain state equations, state table, and state diagram for the following circuit.



State and output equations

Present	Next		Output	
	X=0	X=1	X=0	X=1
QA QB	QA QB	QA QB	Z	Z
00				
01				
10				
11				

00

01

10

11