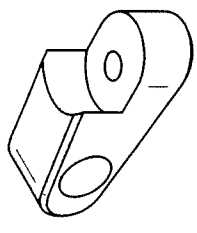
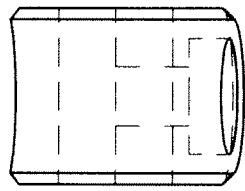
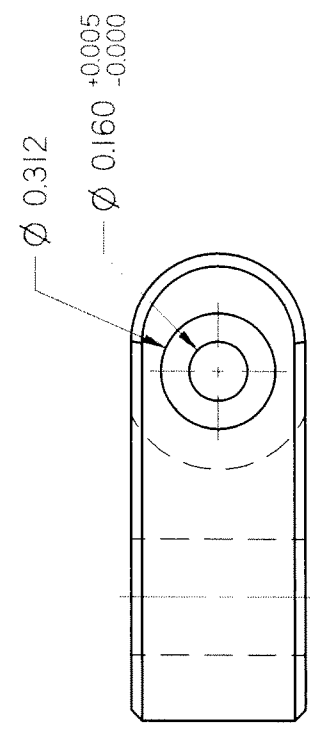
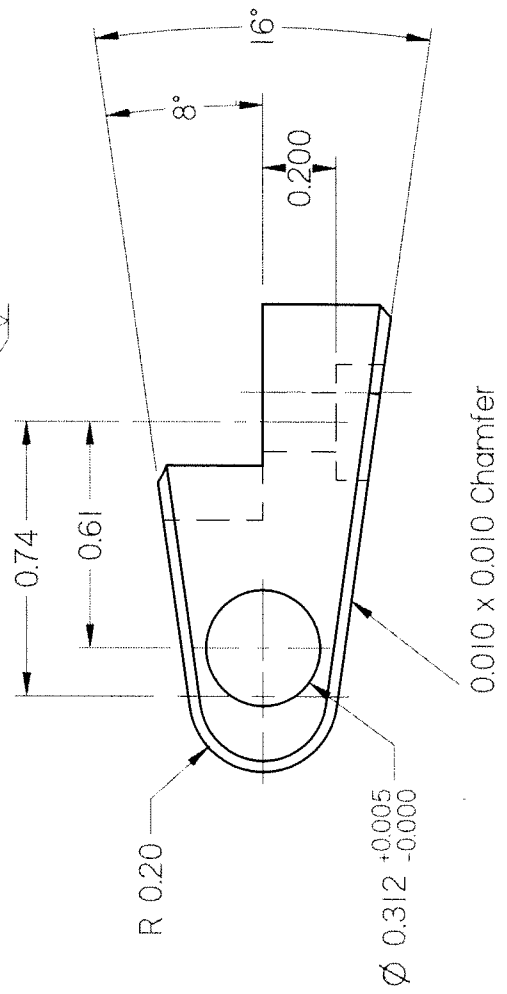
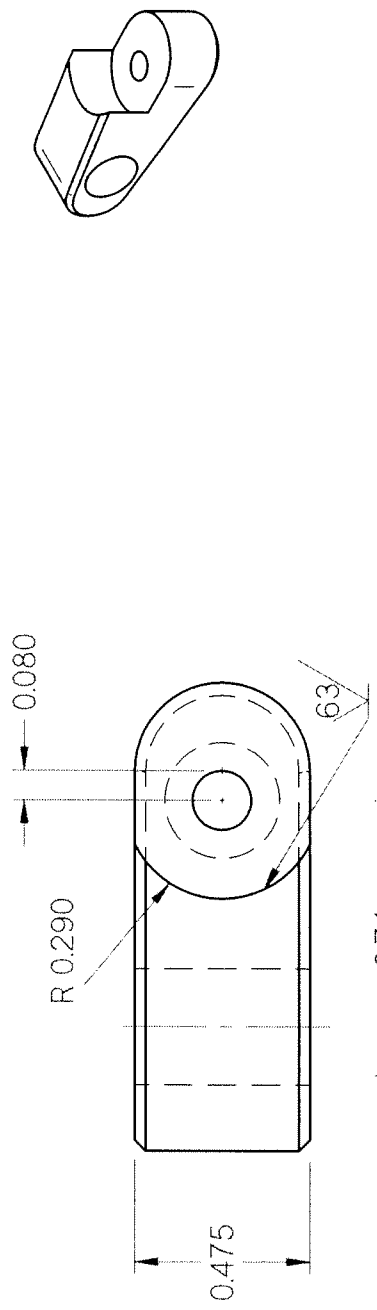


REVISION HISTORY		
REV	DESCRIPTION	DATE



Material: 6061 T6 Aluminum

DRAWN	skimmed	DATE	11/28/07
CHECKED			
ENG APPR			
MGR APPR			
UNLESS OTHERWISE SPECIFIED		SIZE	DWG NO
DIMENSIONS ARE IN INCHES		C	3170002P001
ANGLES ±2°		FILE NAME	broch.rvt
2 PL +0.02 3 PL +0.005		SCALE	WEIGHT
			SHEET 1 OF 1

SOLID EDGE ACADEMIC COPY