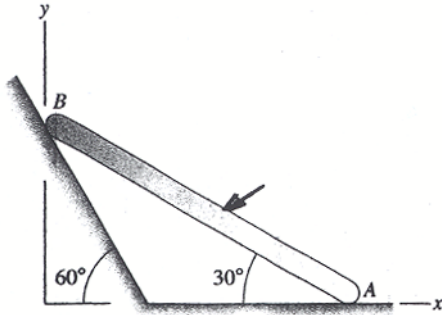


Quiz - Le 12

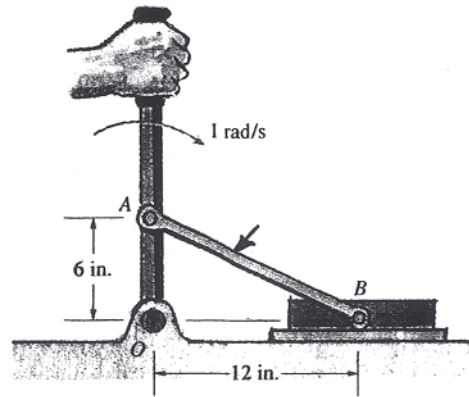
Name: _____

Sketch the location of the instantaneous center of velocity for the rigid bodies marked with arrows. Do not worry about figuring out the exact locations.

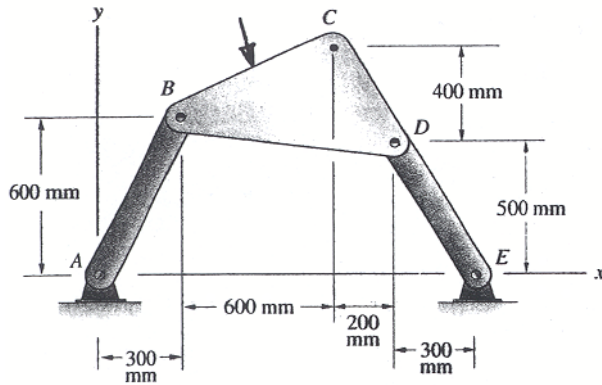
1.



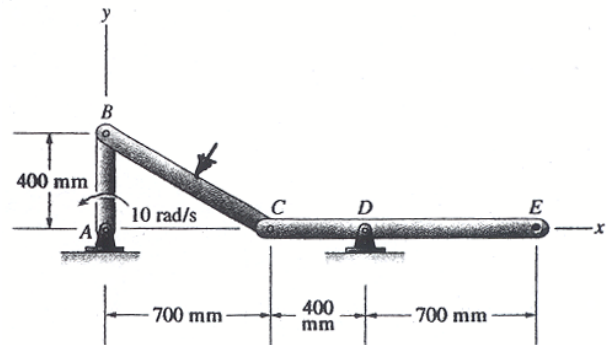
2.



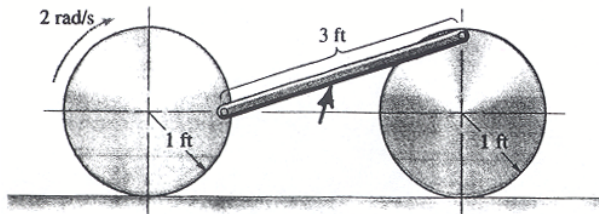
3.



4.

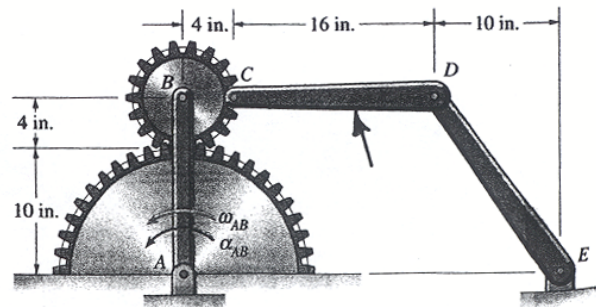


5.



Assume the disks roll without slipping

6.



The lower gear is fixed